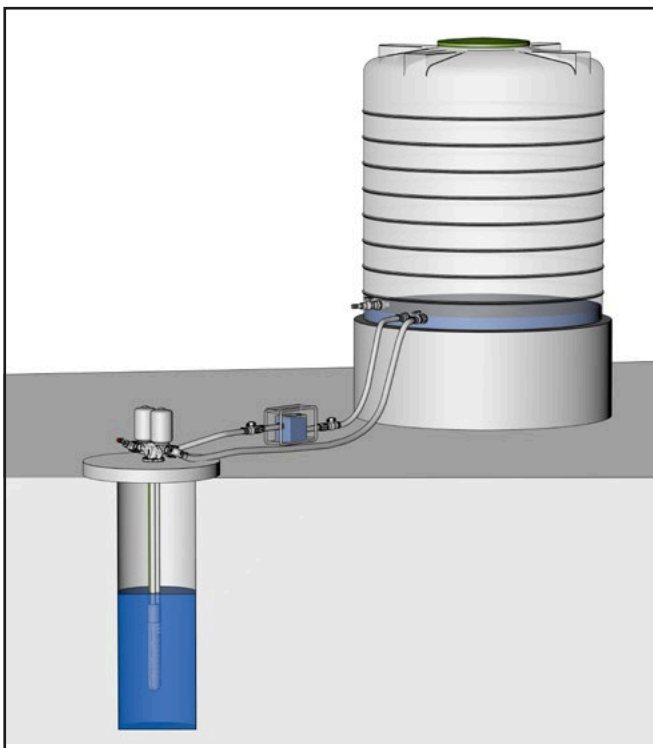


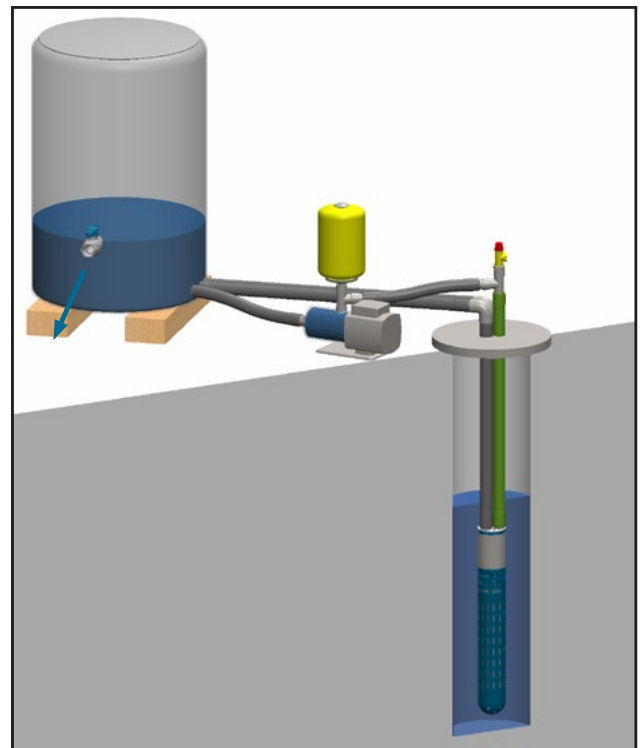
# SLX-40 Installation Guides

This document combines:  
SLX-40 Installation Guide  
SLX-40 Basic Set-Up (Appendix A)  
SLX-40 Site Installation Report Forms (Appendix B)

The Basic Set-Up instructions explain how to complete a basic installation of an Impact Pump SLX-40 without an Impact Pumps well-head or optional surface fittings. For applications requiring pressurised output (e.g. to sprinklers or drip irrigation), or remote delivery, an Impact Pumps well-head should be used. The Basic Set-Up should only be used for output flows less than 3,000 L/h.



SLX-40 Installation Guide Page 1



Appendix A:  
SLX-40 Basic Set-Up Page 33

# SLX-40-S (Standard) & SLX-40-HF (High Flow)

## Installation Guide

This document explains how to install the SLX-40 to deliver water to a raised tank. Installation of the SLX-40 should take a certified installer less than two hours once the tank stand and well are constructed. The guide details the installation procedure for an Impact Pumps SLX-40 using the "Quick Connections Accessories Kit" available from your dealer. For hard-piped or fixed installations without this kit, please use equivalent appropriately sized fittings to make the connections shown.

In some applications an optional basic set-up can be used which does not require the Impact Pumps well head package or quick connections kit. For applications requiring a raised tank for pressurised output (e.g. to sprinklers or drip irrigation), or remote tank, an Impact Pumps well-head should be used. The basic set-up should only be used for output flows less than 3,000 L/h and the pipes must be firmly secured. See separate additional "SLX-40 Basic Set-Up Installation and User Guide".

For operating and troubleshooting help, please refer to the accompanying "SLX-40-S (Standard) & SLX-40-HF (High Flow) User Guide".

---

To register for the 5 year warranty or to get further support, including in other languages such as:

- Français,
- Español,
- Português,

visit [www.impactpumps.com/support](http://www.impactpumps.com/support) or scan this code:

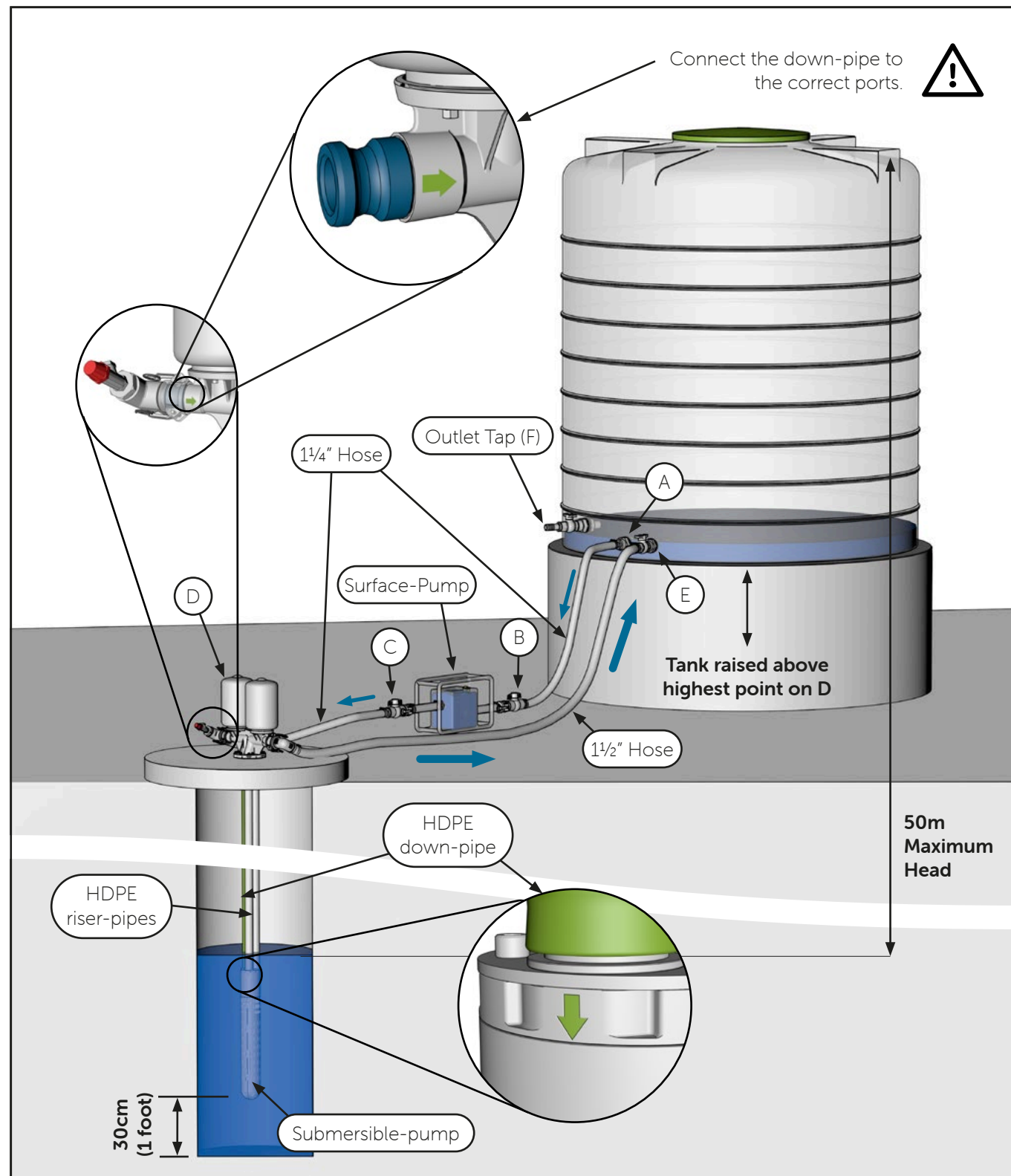


Quick Start Installation Guide Summary	Page 2
Packing Lists	Page 4
Quick Connections Accessories Kit	Page 5
Required Items Not Included With The SLX-40	Page 7
Tools Needed For Installation	Page 8
Installation Instructions	Page 10

# SLX-40-S and SLX-40-HF

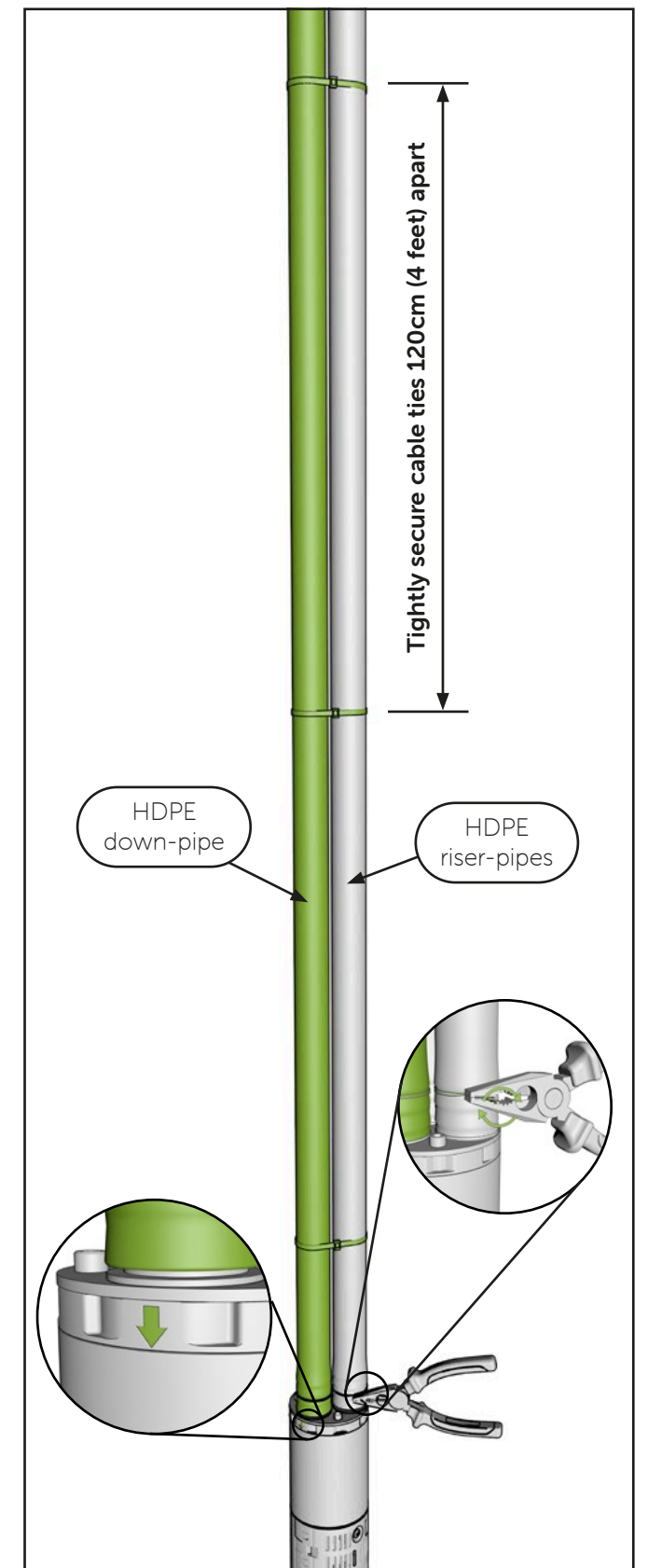
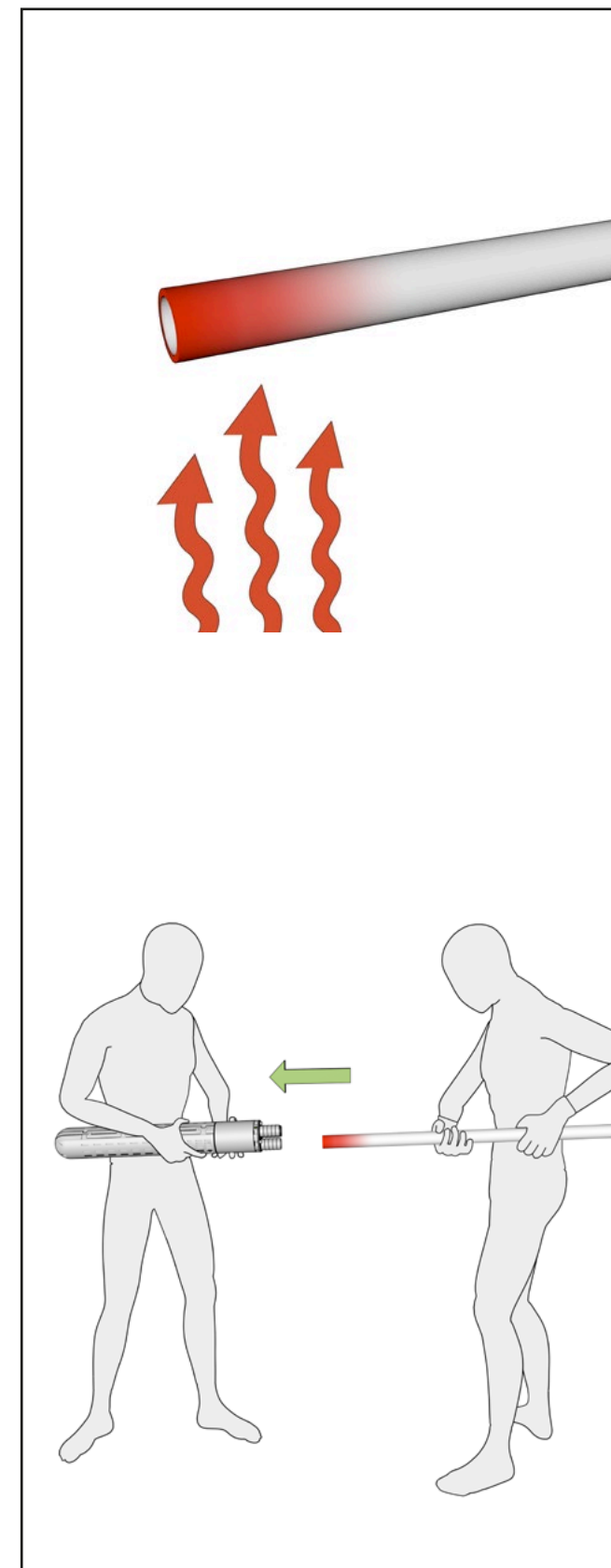
## Quick Start Installation Guide Summary

More detailed instructions are on page 10



Water pumped down into the SLX-40 submersible-pump is returned up the riser pipes with extra water lifted from the well. The valve on C should be adjusted so that the red cap on D is normally closed. The SLX-40-S must also lift an output flow of no more than 3,000 L/h.

**WARNING! EXCEEDING THE PRESSURE HEAD AND FLOW SPECIFICATIONS MAY DAMAGE THE SLX-40 AND VOID THE WARRANTY.**


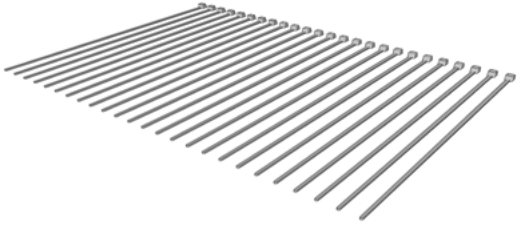



# SLX-40-S and SLX-40-HF

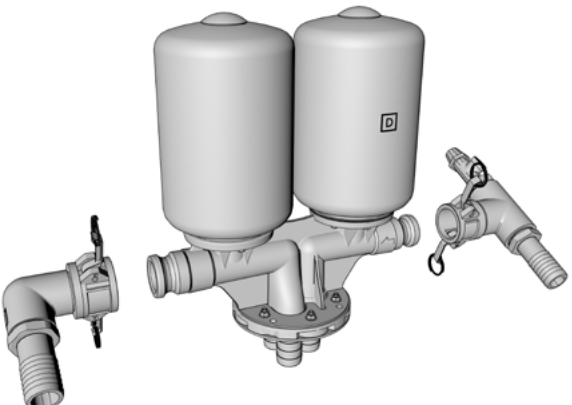

## Packing Lists

**TIP:** Plumbing fittings have been supplied pre-assembled and sealed except where parts will need to be disassembled and reassembled during installation.

### Submersible Box

<p>(S) Submersible-pump</p> 
<p>50x Cable ties for HDPE pipes</p> 
<p>6m wire for HDPE hoses</p> 

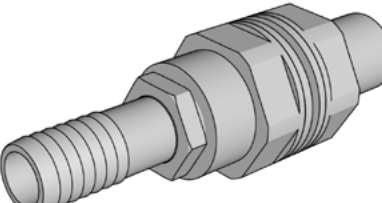
### Well Head Box

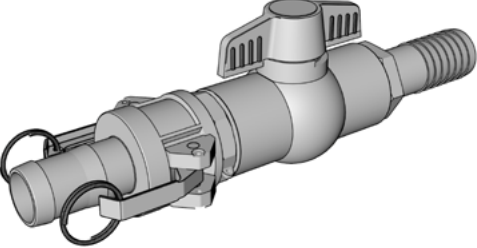
<p>(D) Well-head</p> 
<p>1x 1 1/2" hose clip and 1x 1/4" hose clip</p> 

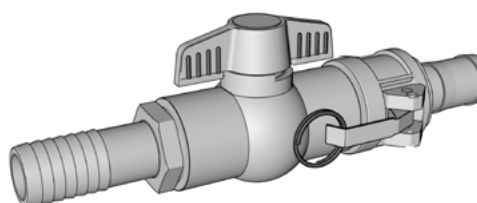
# SLX-40-S and SLX-40-HF

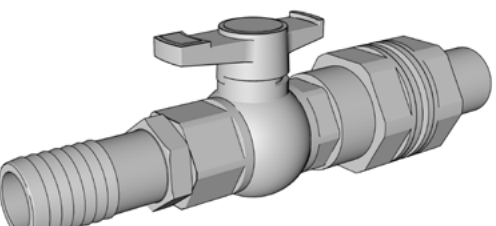
## Quick Connections Accessories Kit

This is available separately from your dealer and strongly recommended to facilitate surface-pump removal, enabling you to get the most out of your SLX-40 installation. Installers may alternatively choose to use externally supplied fittings, e.g. in the case of hard-piped installations or if the surface pump does not need to be easy to remove.

<p>(A) Suction port tank fittings</p> 
---

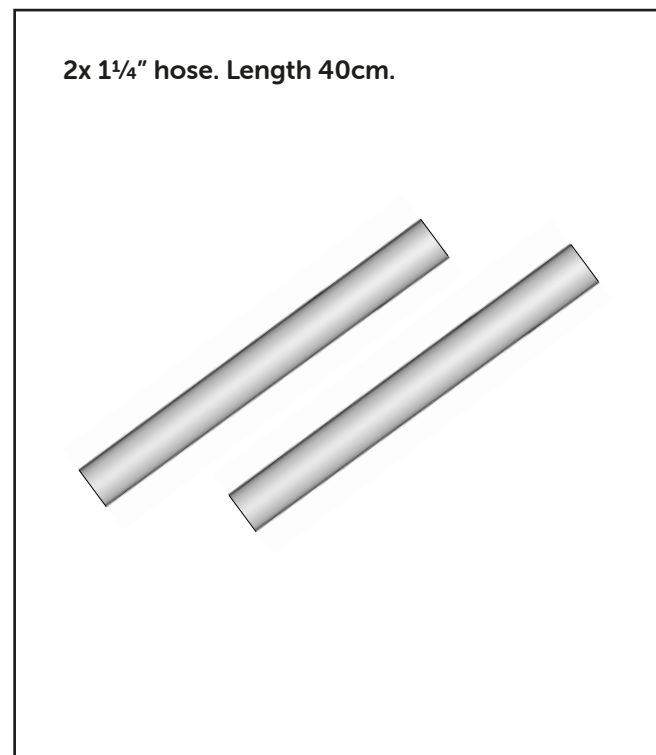
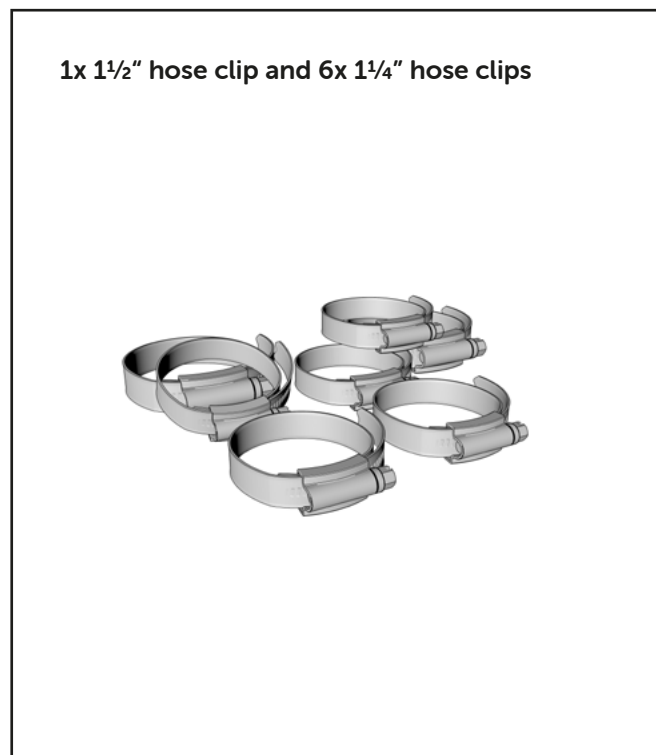
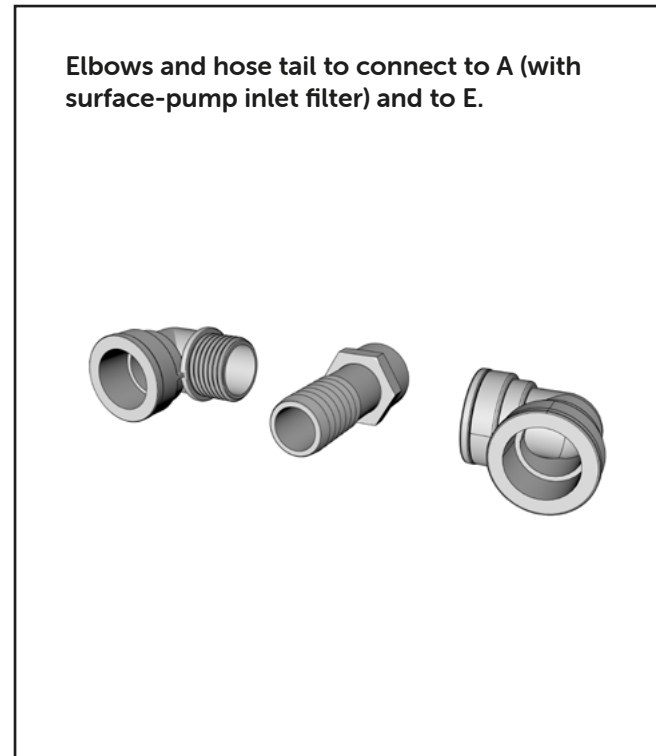
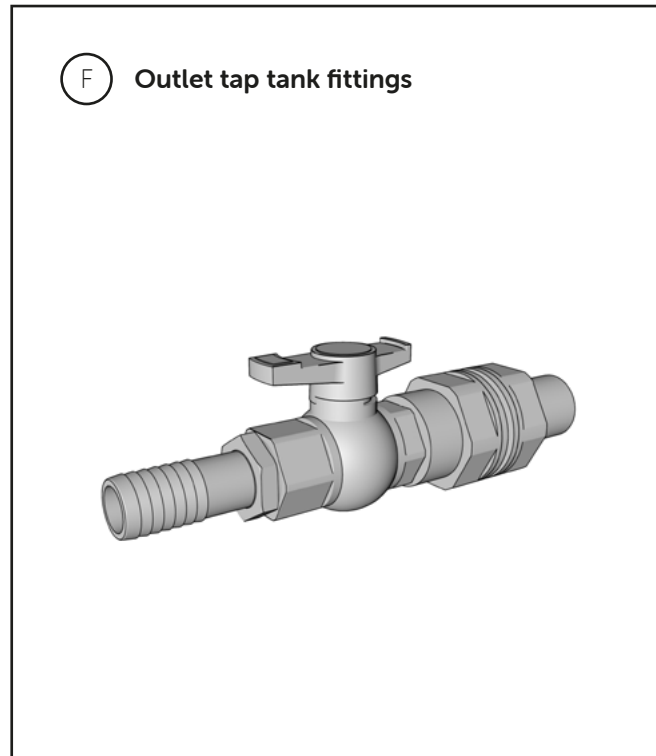
<p>(B) Surface-pump suction port fittings (assumes 1/4" hosetail inlet on surface-pump)</p> 
---

<p>(C) Surface-pump outlet fittings (assumes 1/4" hosetail outlet on surface-pump)</p> 
--

<p>(E) Tank return fittings</p> 
---

# SLX-40-S and SLX-40-HF

Quick Connections Accessories Kit (continued)



**TIP:** For hard-piped or fixed installations without this kit, please use equivalent appropriately sized fittings to make the connections shown.

# SLX-40-S and SLX-40-HF

Required Items Not Included With The SLX-40

Surface-pump with 1¼" hosetails and 2x hose clips. Please see your distributor for a list of recommended surface-pumps. The SLX-40-S must lift an output flow of no more than 3,000 L/h, this requires the surface pump to supply a drive flow of less than 4,500 L/h. The pressure supplied to the SLX-40-S as well as the SLX-40-HF should be limited to less than 27m. Some surface-pumps may require reducing the output flow and pressure supplied to the SLX-40 by using a valve. There is a pressure relief valve with a red cap on D that will open at pressures higher than 27m.

**!** **WARNING!** EXCEEDING THE PRESSURE HEAD AND FLOW SPECIFICATIONS MAY DAMAGE THE SLX-40 AND VOID THE WARRANTY.

HDPE (PE100) PN16 (SDR11) pipes, 40mm outside diameter, 3 lengths equal to the installation depth. Please note that the maximum installation depth is 50m (164 feet).

**Tank or water butt (200L or more) including provision for overflow/tank switch if required**

The tank should be raised on a plinth or stand so that the bottom of the tank is higher than the well-head (D).

**TIP:** At least a small tank is required for all installations for ease of priming and to protect the surface-pump, even if water storage is not required.

Tank raised above highest point on Well-head (D)

Good quality 1¼" and 1½" suction hoses (equal lengths of at least the intended distance from the well-head to the tank). The hoses should be UV resistant and preferably opaque (not see through). Suction hoses should not collapse if squeezed. Either of these hoses may be supplied with the surface-pump or purchased separately.

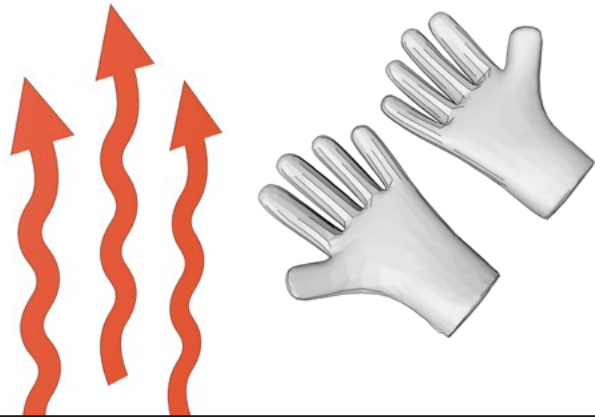
**TIP:** For hard-piped surface connections avoiding hoses, replace the well-head hosetails with 1¼" and 1½" threaded pipe fittings as required.



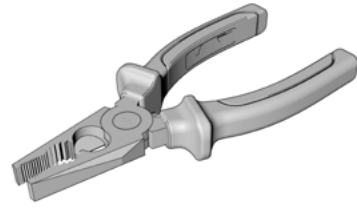
# SLX-40-S and SLX-40-HF

## Tools Needed For Installation

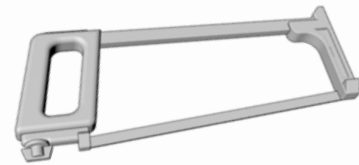
Heat source to soften the HDPE pipes in step 13 (e.g. blow torch, hot air gun or means to build a small fire). You may wish to use gloves to improve grip and avoid burns whilst pushing heated pipes onto the SLX-40 hoetails.



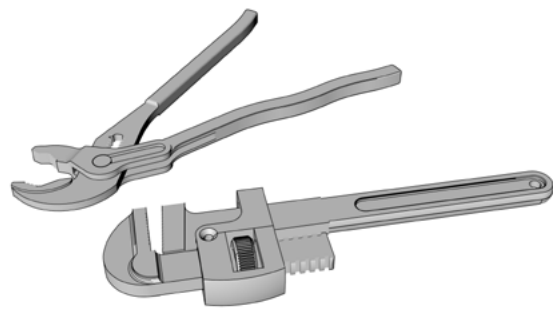
Pliers with wire cutting blade for cutting and twisting wire in step 14 and cutting cable ties in step 17



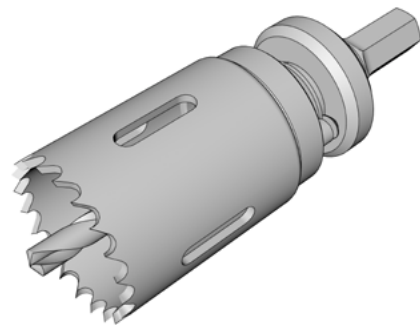
Hacksaw cutting blades for cutting hoses and HDPE pipes



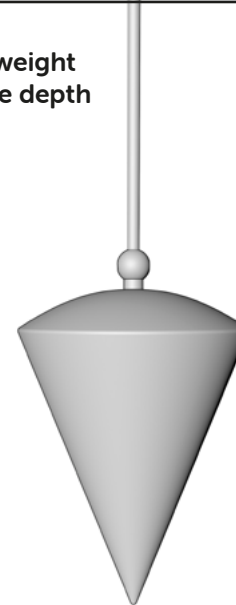
2 adjustable pipe wrenches or water-pump pliers for steps 5 and 25



Hole making tool for the tank ports in step 3 (e.g. hot pipe, hole saw or short, stiff blade)



String and weight to check the depth of the well



Means to provide 100L of priming water AFTER SLX-40 installation



**100 litres**

13mm spanner for tightening M8 bolts if used in step 26

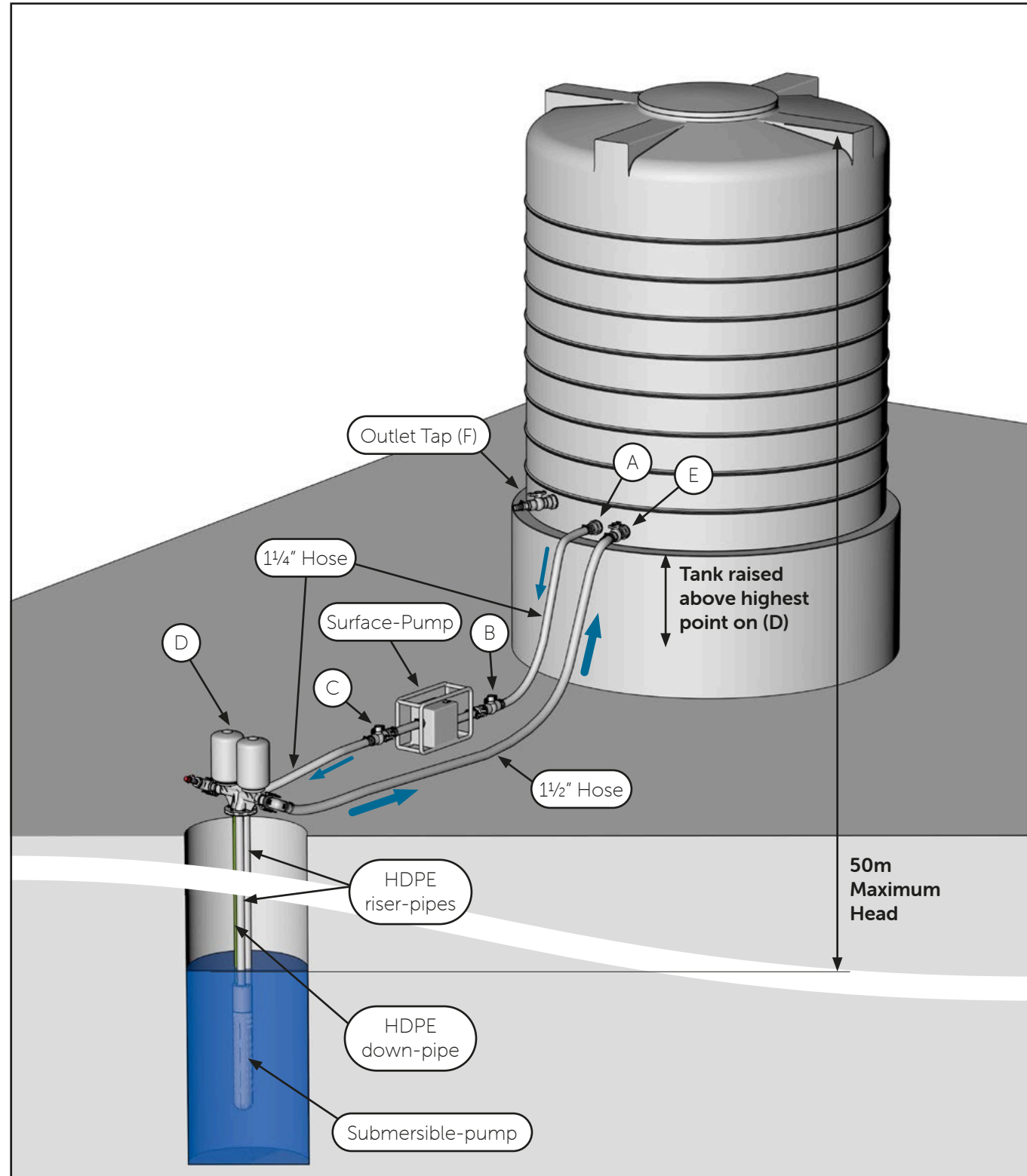


Optional or recommended items:

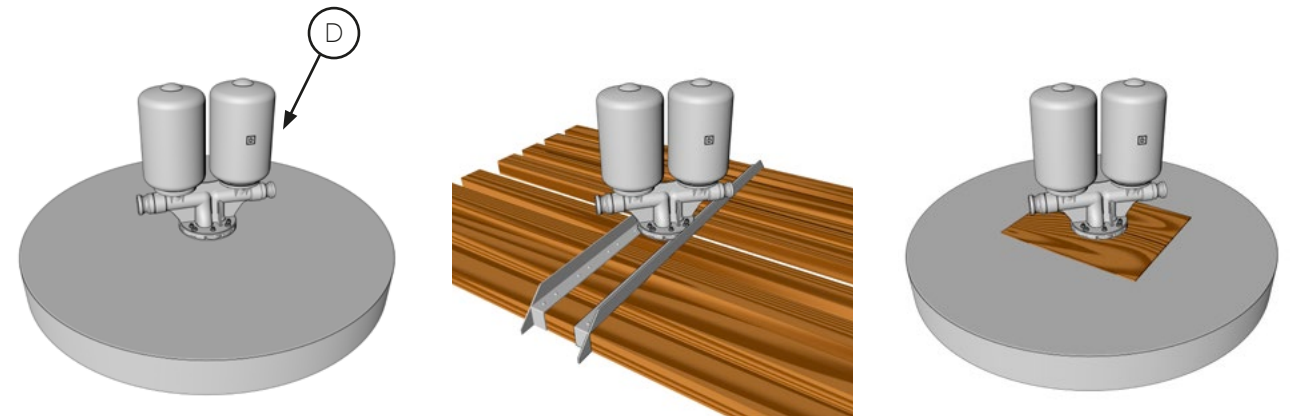
- Fittings and pipes/hoses to plumb an overflow return to the well.
- Woodscrews, anchor bolts or appropriate fasteners to secure the well-head to whatever platform structure is used to support the SLX-40 at the top of the well or borehole.

# SLX-40-S and SLX-40-HF

## Installation Instructions



**1** Install a suitable support to hold the Well-Head (D) centrally over the well so that it does not touch or rub on the sides of the well. The support should be sufficiently stiff and strong to support the weight of up to 4 people plus up to 200kg if the pipes are up to 50m (164 feet) long.




This could be a concrete slab with a suitable opening as shown

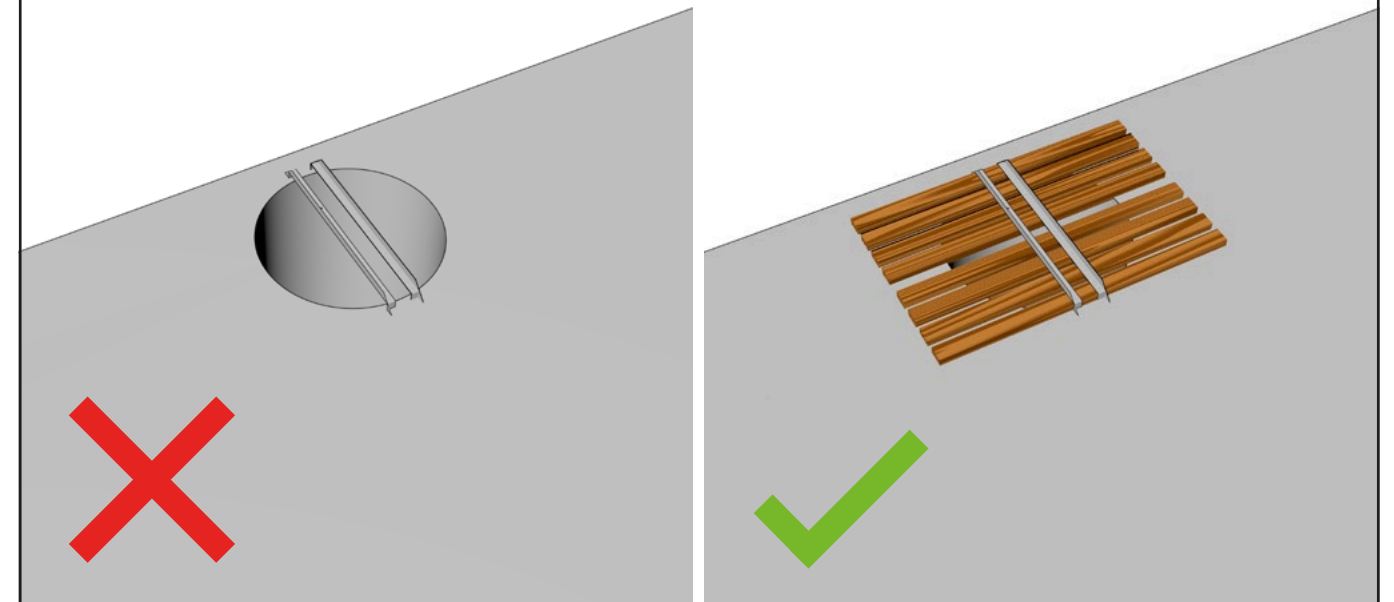
OR

this could be a simple metal frame made from angle iron

OR

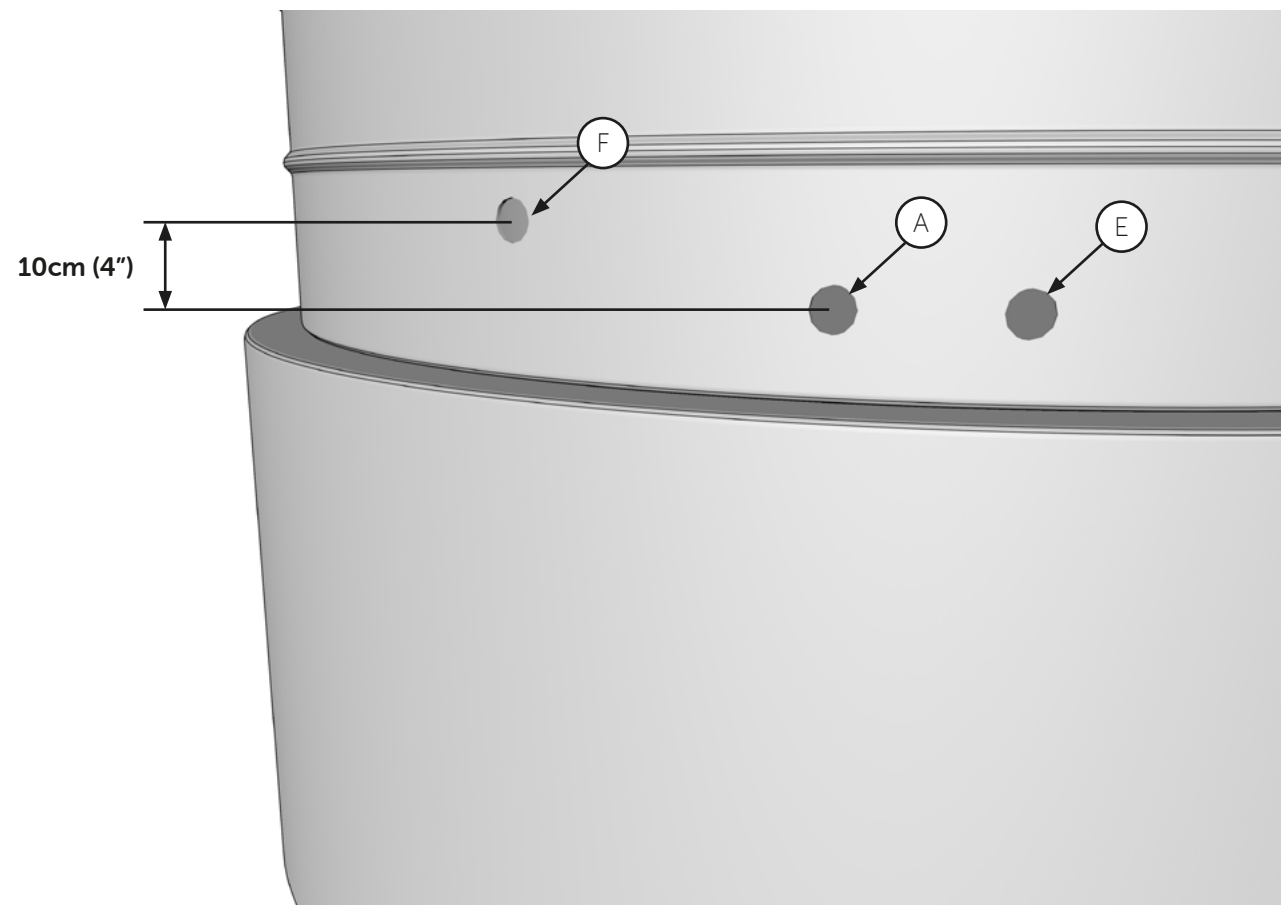
this could be a wooden or thick steel manhole cover.

**2**  If the well is greater than 20cm (8") in diameter, please ensure that it is completely covered and safe, ensuring it is not possible for a person to fall into the well!!!



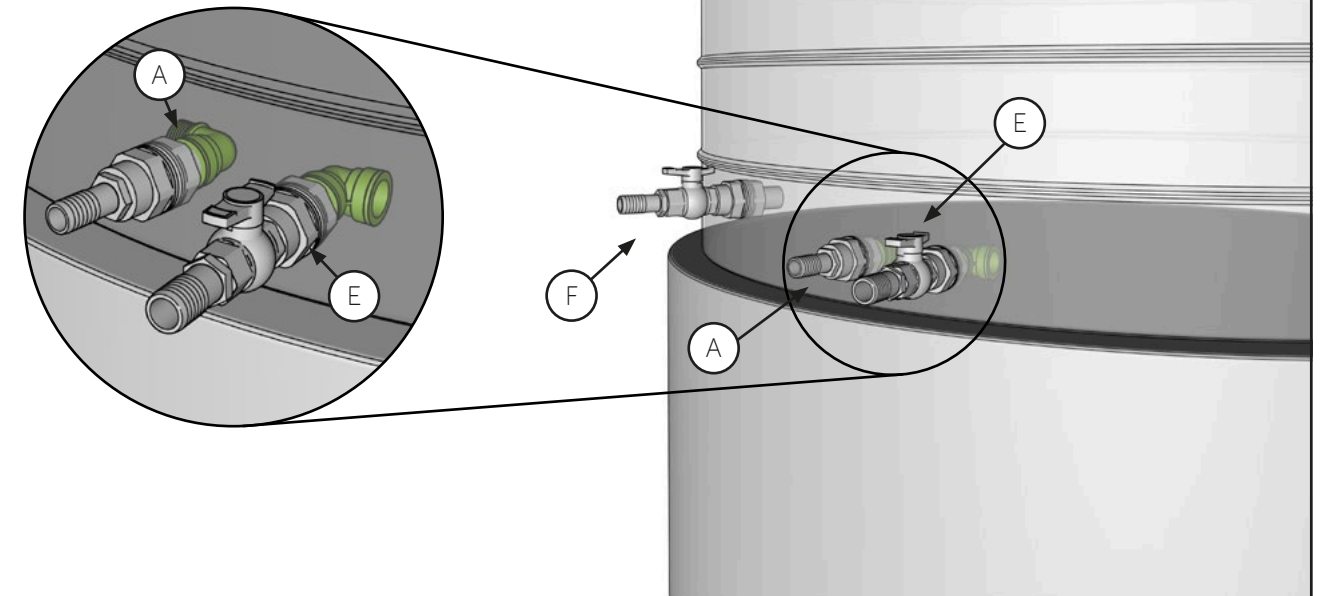
**3** Cut two 42mm diameter holes near the bottom of the empty tank for A and E.

**4** Cut a 42mm diameter hole for F approximately 10cm (or 4") higher than the holes for A and E. This 10cm (4") height difference will ensure there is always water in the tank to prime the surface-pump if it is removed.



**TIP:** We recommend that the top hole, F, is installed as far as possible from A and E to avoid any silt being carried with the outlet water.

**5** Install A and E.



**TIP:** The elbows provided should always be installed on the inside of the tank so that the ports on A and E face away from each other. This allows any sand or dirt from the well to settle out of the flow before it returns to the surface-pump.

**TIP:** If an inlet filter is supplied with the surface-pump, this should be installed inside the tank on A. Different options to join A to an inlet filter have been provided: a hosetail and two types of elbow. The remaining elbow can be installed on E.

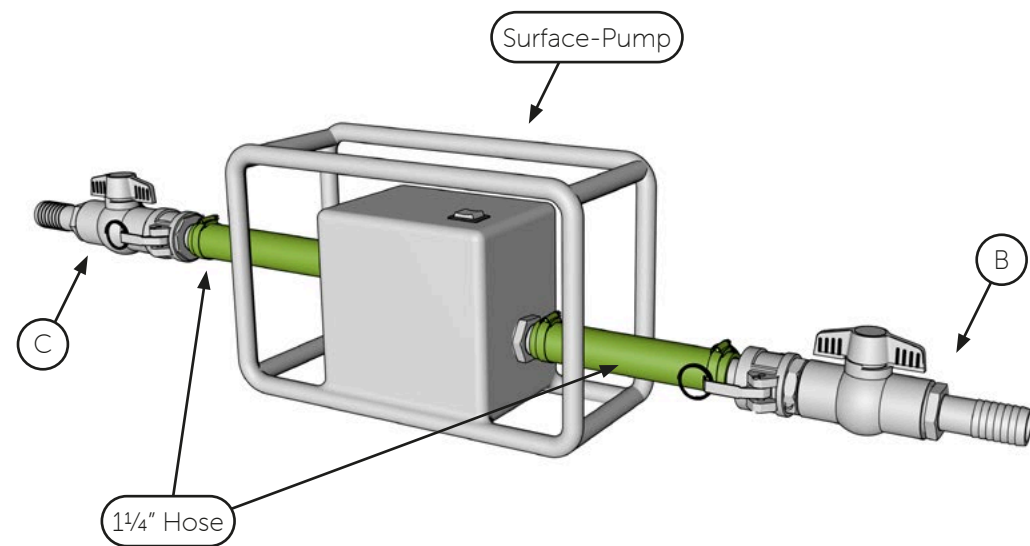
**6** Install F in the highest hole.

**TIP:** A tank level switch or overflow return to the well should be installed if the pump will operate unsupervised.



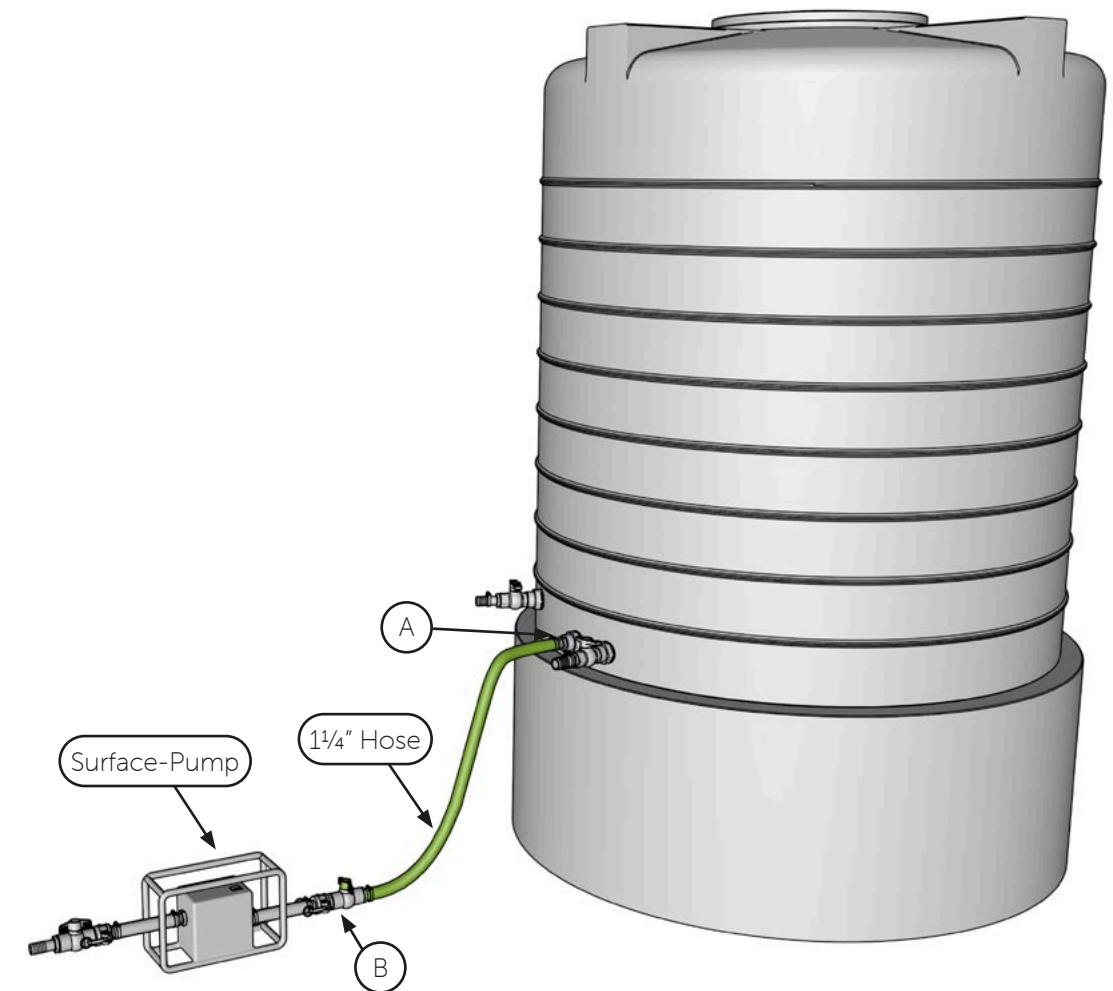
**7** Place the tank in its final intended location.

**8** Join B to the surface-pump suction port and C to the surface-pump outlet port using the two short lengths of 1/4" hose and hose clips.



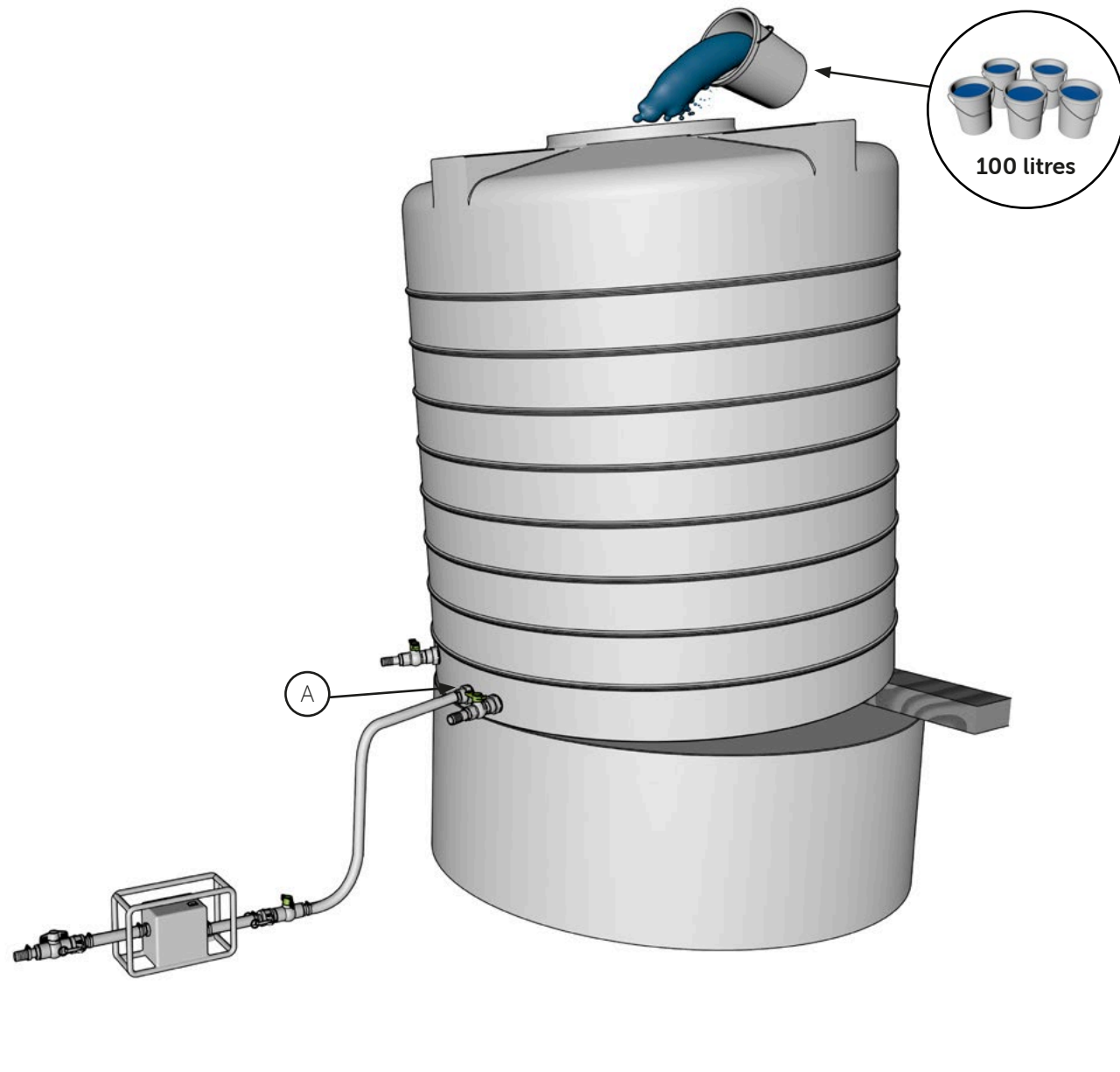
**TIP:** If the user would like to keep the surface-pump full of water while being removed, stored then replaced, two longer hose lengths can be used to join B and C to the surface-pump. If these lengths of hose on the surface-pump are sufficiently long, they can optionally be joined together to keep the surface-pump primed. This will make it heavier to transport, but introduce less air for removal the next time it is used.

**9** Place the surface-pump within 5m of the tank with its outlet facing towards the well. Join A to B using 1/4" hose and hose clips.



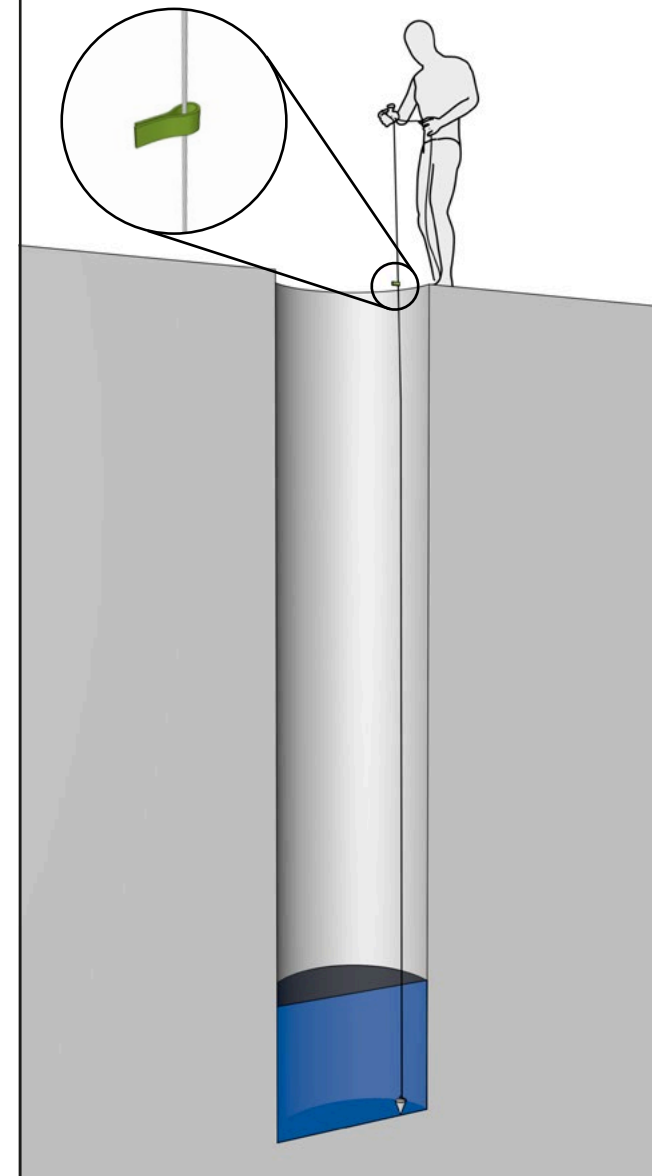
**TIP:** Take care not to overtighten the hose clips.

**10** Close all the valves and pour approximately 100 litres of priming water into the tank (no less).



**TIP:** If the tank is large, tip it to submerge A. Temporarily support the tank, e.g. with a block of wood..

**11** Measure the total depth of the well using a weight with a string or a tape measure and mark the depth of the well.

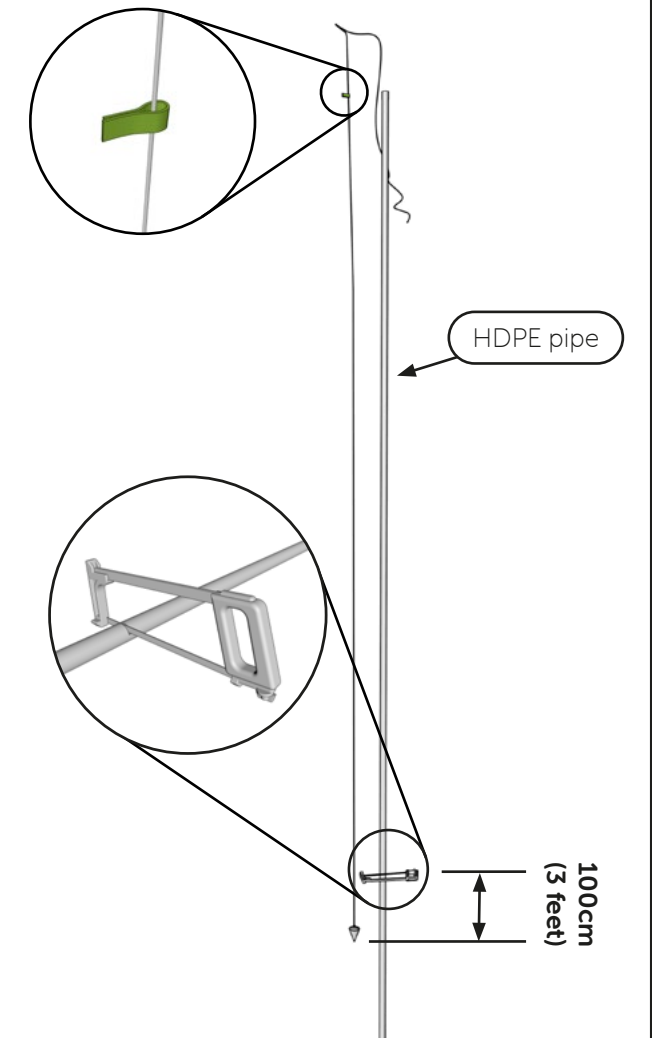


**TIP:** The submersible-pump is 60cm (2 feet) long, therefore, with the HDPE pipes cut to 100cm (3 feet) less than the total well depth, the bottom of the submersible-pump will be installed no deeper than 30cm (1 foot) from the bottom of the well. This allows for the largest possible drop in water level while pumping during the dry season.

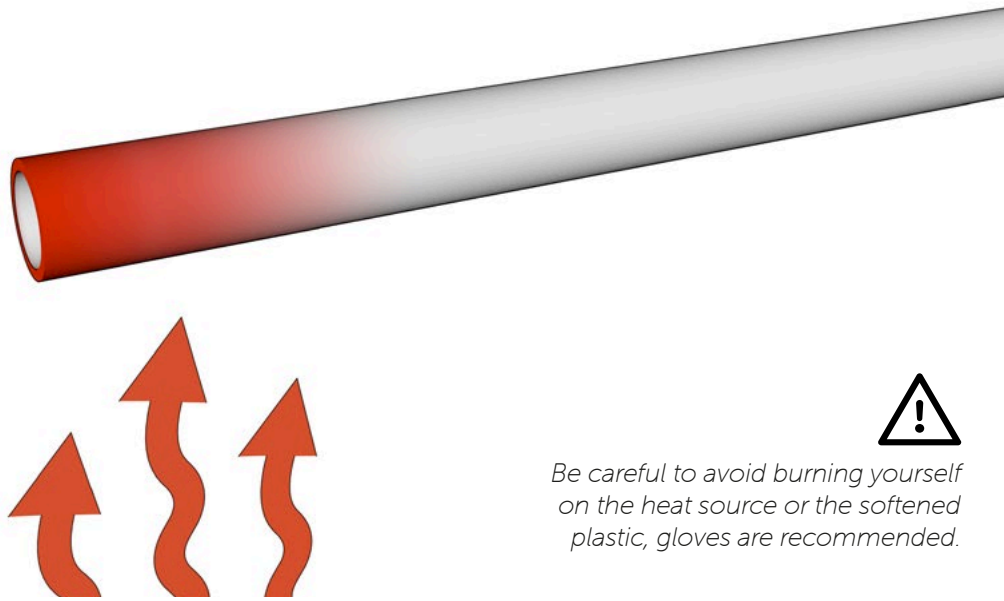
**TIP:** Use the string to measure the correct length of the first HDPE pipe, then use this pipe to measure and cut the remaining 2 pipe lengths.

**TIP:** If the well depth is much greater than the water depth, the water level may be measured instead. The submersible-pump should be located below the lowest expected well water level at the driest time of year.

**12** Cut three PN16 40mm HDPE pipe lengths that are 100cm (3 feet) shorter than the total depth of the well. The maximum head of the SLX-40 is 50m (164 feet), therefore, the HDPE pipes should also not be cut longer than 50m (164 feet).

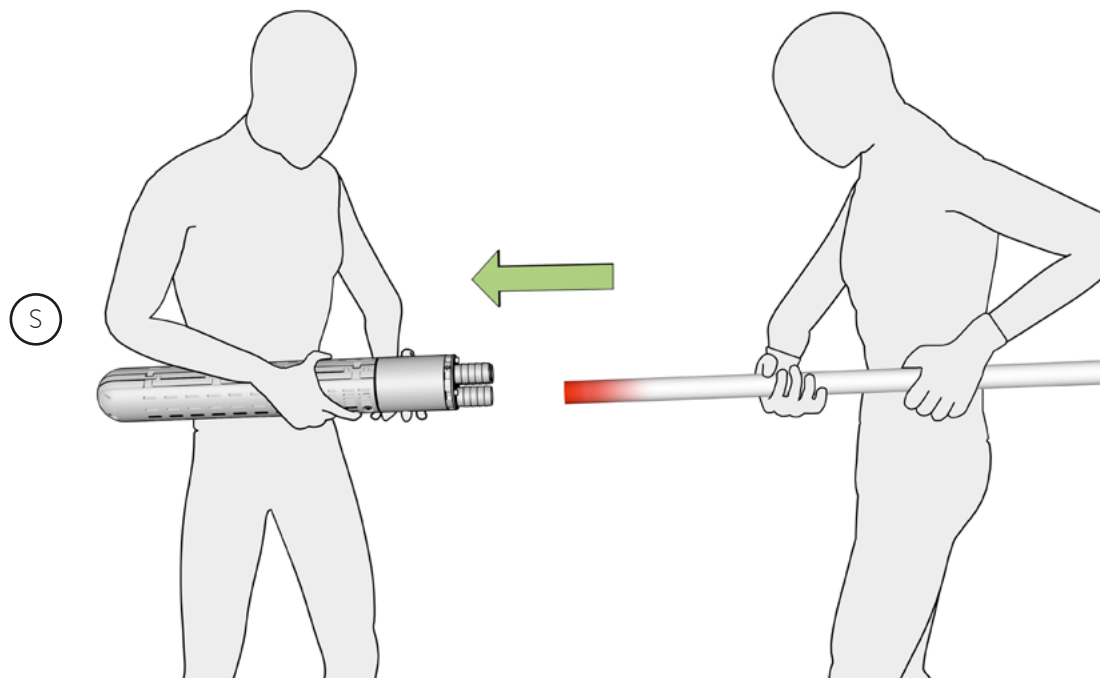


**13** Heat the end of one HDPE pipe, and push it over the full length of a hosetail on the submersible-pump.

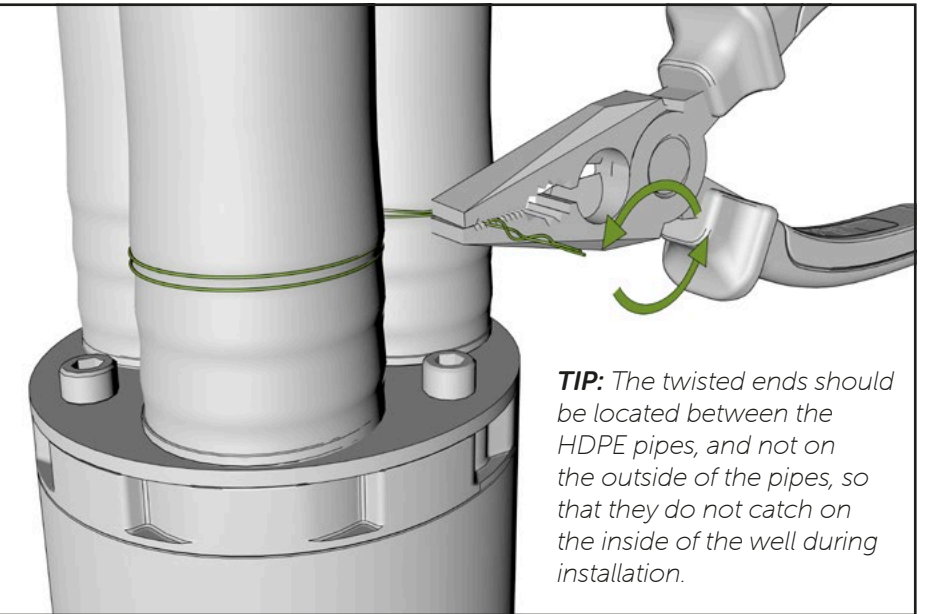


**TIP:** Take care to keep the heat source moving around the HDPE pipe and not to melt the pipe.

**TIP:** The process of pushing the pipe onto the hosetail is much easier with two people: one to hold the submersible-pump and the other to hold the pipe.



**14** While the HDPE pipe is still warm, wrap one of the lengths of wire around the pipe joint twice, and twist with the pliers until tight. Cut off any excess wire and fold the twisted end down against the pipe.

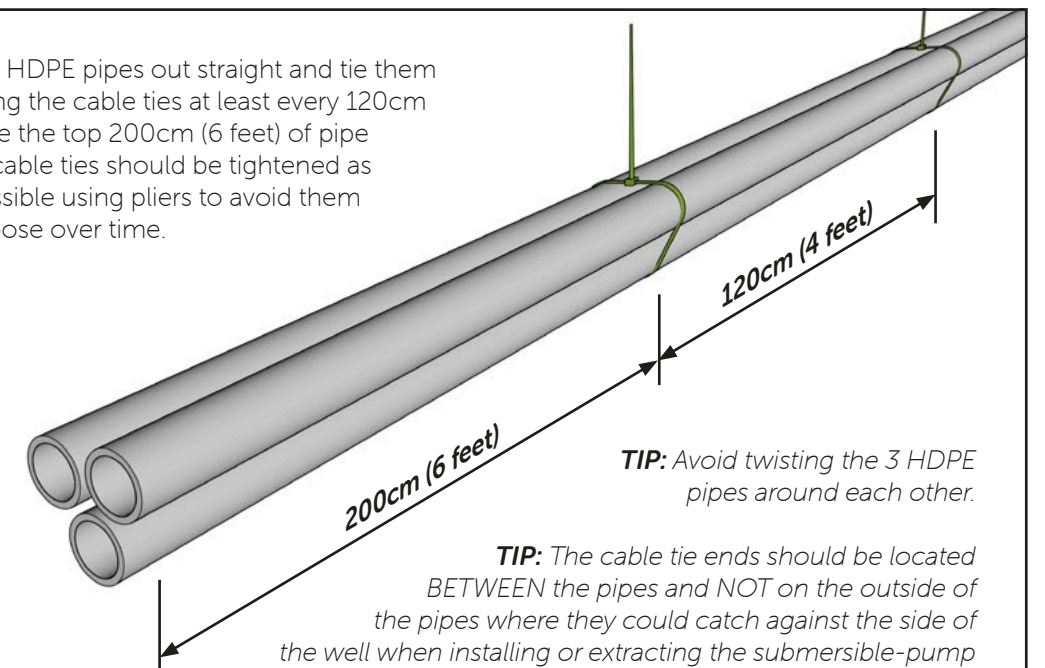


**TIP:** The twisted ends should be located between the HDPE pipes, and not on the outside of the pipes, so that they do not catch on the inside of the well during installation.

**TIP:** Good quality strong HDPE pipe connections are needed for installations approaching the maximum heads or flows of the SLX-40. You may find it easier to ensure good quality strong hose connections by using hose clips instead of twisted wire.

**15** Repeat steps 13 and 14 for the remaining two HDPE pipes.

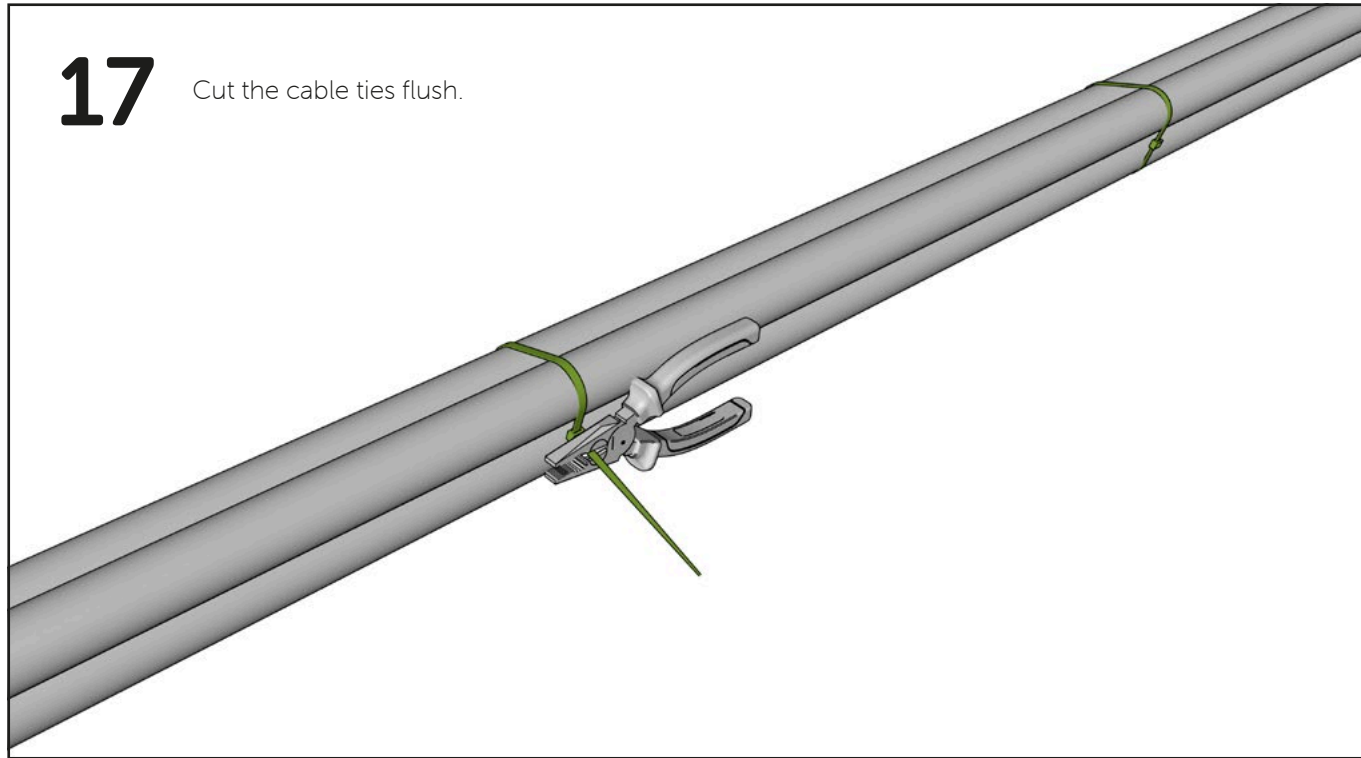
**16** Stretch the 3 HDPE pipes out straight and tie them together using the cable ties at least every 120cm (4 feet). Leave the top 200cm (6 feet) of pipe untied. The cable ties should be tightened as much as possible using pliers to avoid them becoming loose over time.



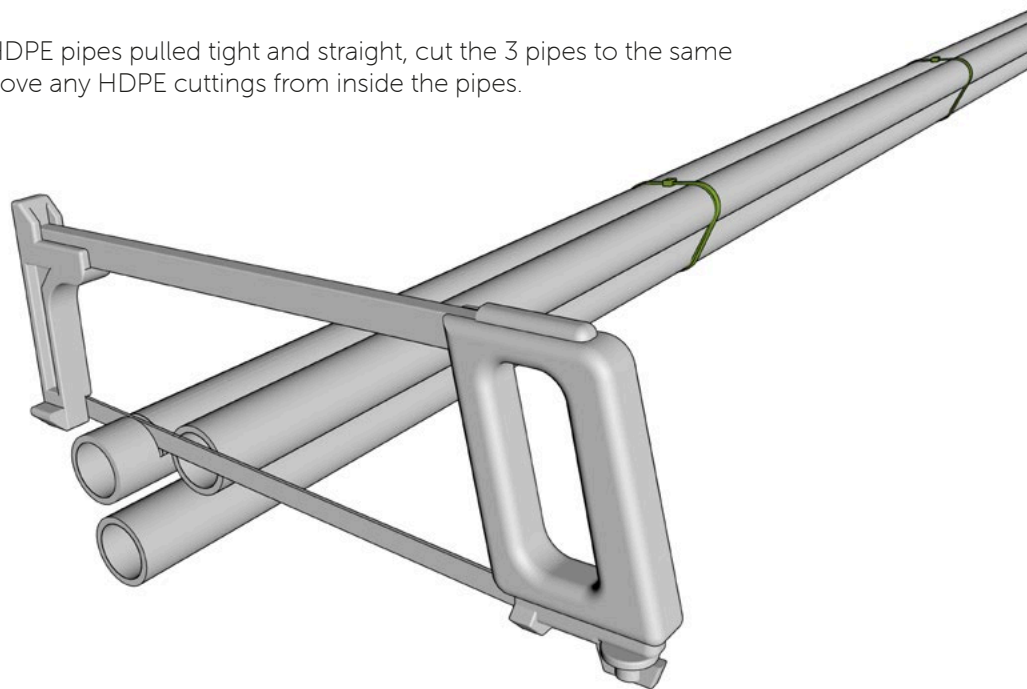
**TIP:** Avoid twisting the 3 HDPE pipes around each other.

**TIP:** The cable tie ends should be located BETWEEN the pipes and NOT on the outside of the pipes where they could catch against the side of the well when installing or extracting the submersible-pump

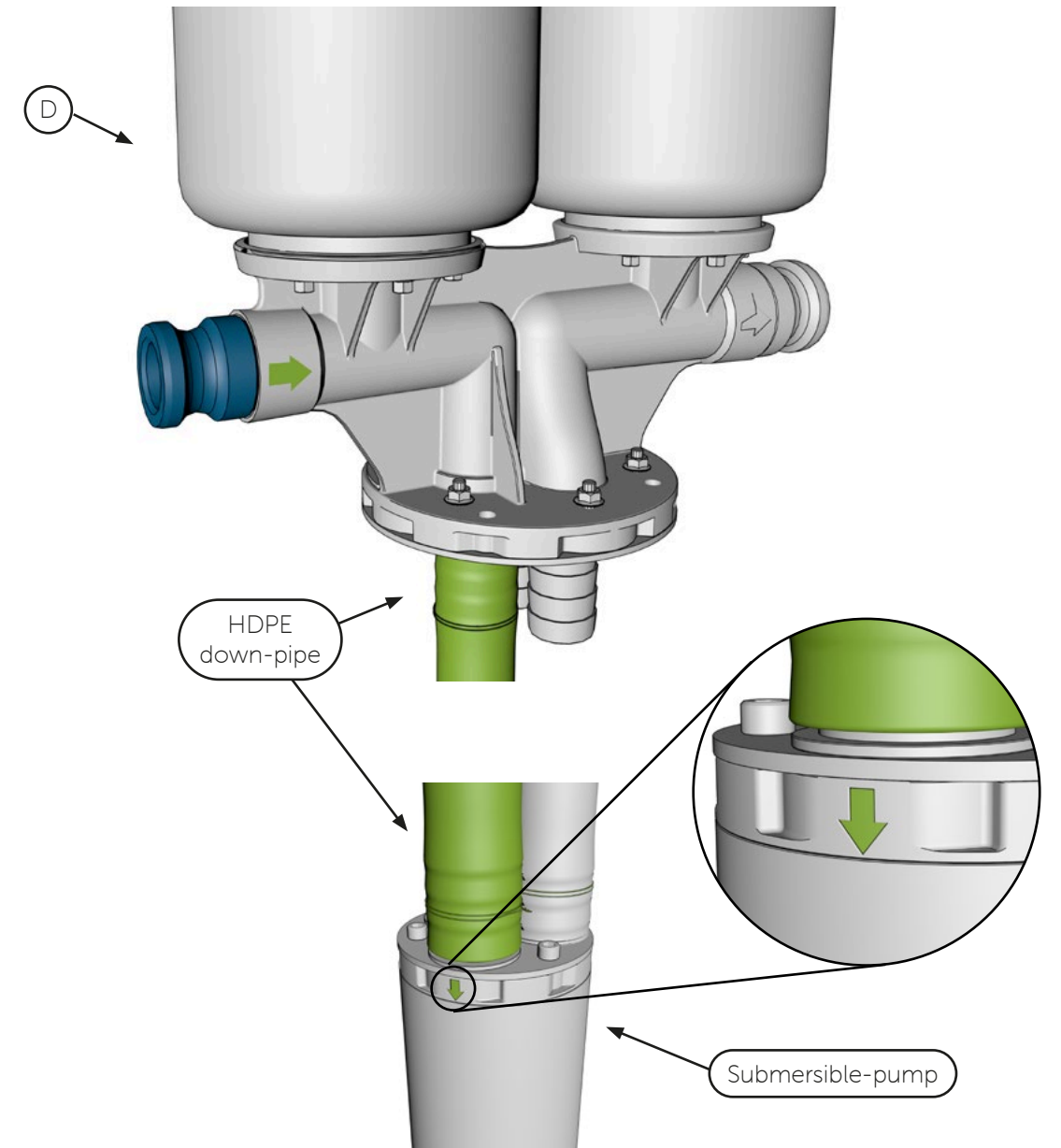
**17** Cut the cable ties flush.



**18** With the 3 HDPE pipes pulled tight and straight, cut the 3 pipes to the same length. Remove any HDPE cuttings from inside the pipes.



**19** Check which pipe is connected to the down-pipe port on the submersible-pump, identified by the downwards pointing arrow shown. Connect this HDPE down-pipe to the down-pipe port on the well-head (D) using the method described in step 13 and 14.

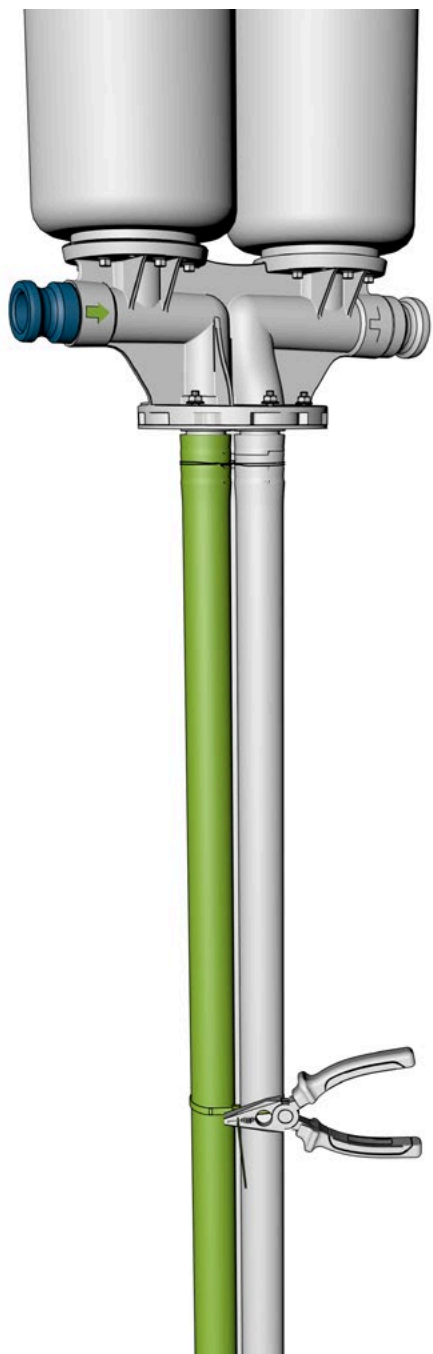


**TIP:** Mark the down-pipe using a cable tie, pen or knife.

**20** Connect the other two pipes to the remaining two ports on the well-head (D) by repeating steps 13 and 14 above.



**21** When all the pipes have been joined at both ends, tie the top 200cm (6 feet) of pipes tightly together with a cable tie using the same method as steps 16 & 17.



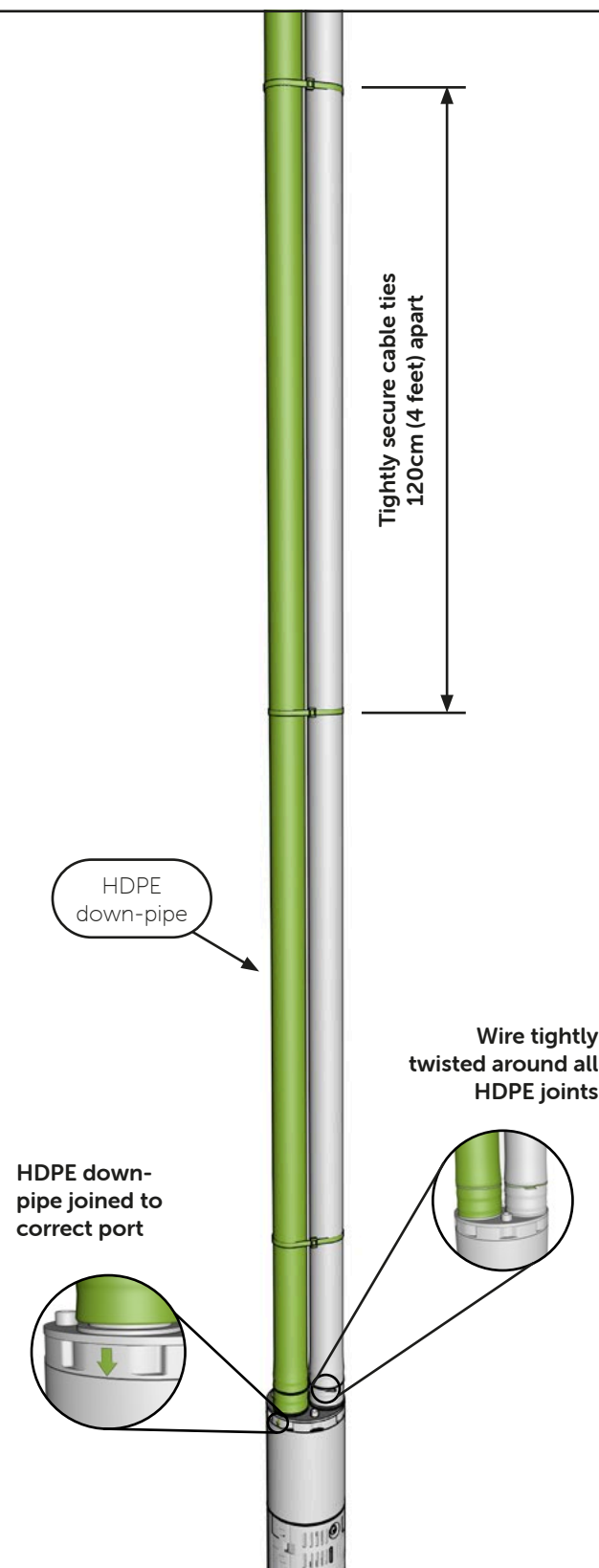
**22** After installation you will be required to complete a 'Site Installation Report' form that will ask you to confirm the following key installation steps have been completed:

- HDPE down-pipe joined to correct ports at both ends
- Wire tightly twisted twice around all HDPE joints
- Cable ties tightly secured with pliers at least every 120cm (4 feet) along HDPE pipes
- HDPE pipes cut no longer than 50m



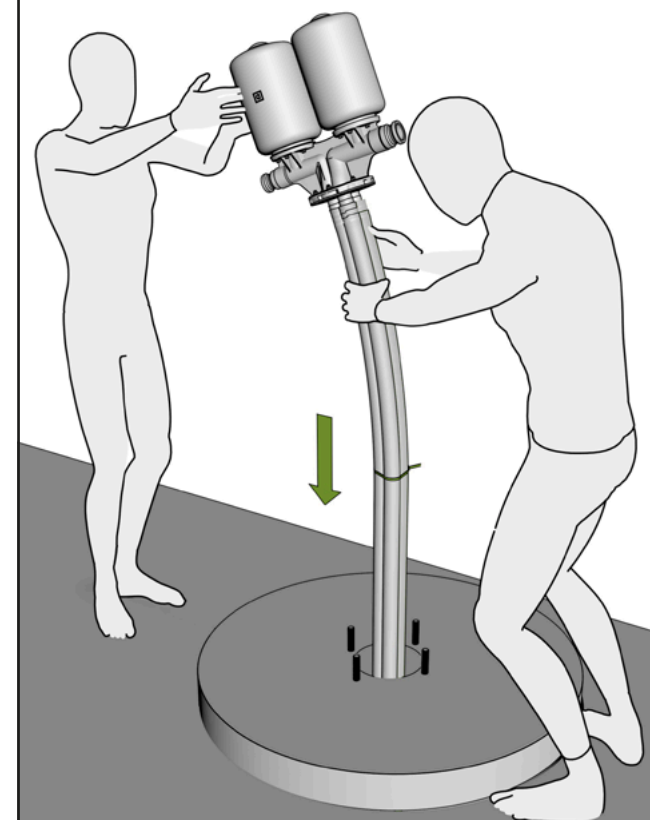
The 'Site Installation Report' form will also ask you to upload a photo showing the HDPE pipes correctly joined together and onto the submersible-pump. If a camera is available, please take a photo that includes everything shown in the example image.

**TIP:** The submersible unit does not require a safety rope because the extra 2 HDPE pipes provide the same safety function.



**23** Insert the submersible-pump into the well.

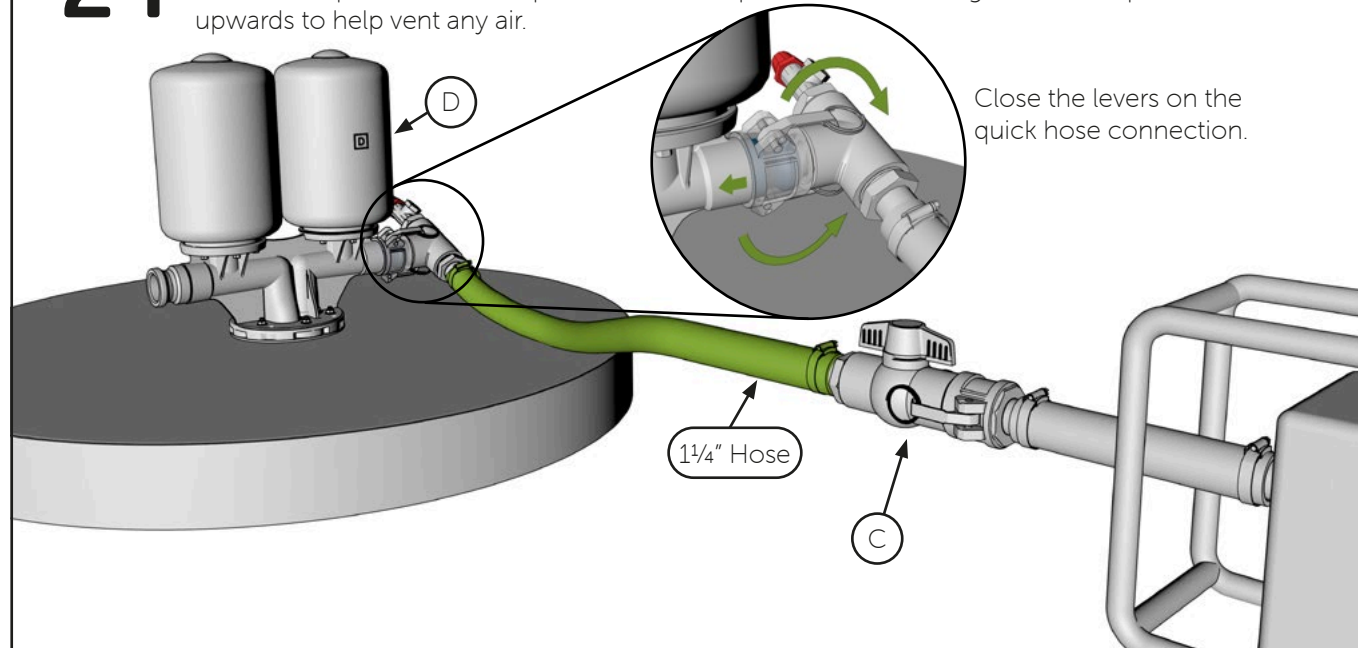
**TIP:** We recommend that at least two people help with this step and that lifting gear is used for pipe lengths over 25m.





24

Connect C to the 1/4" inlet port on D using the 1/4" quick hose connection, a 1/4" hose and hose clips. The 1/4" inlet port on D should point towards C. Angle the red cap upwards to help vent any air.



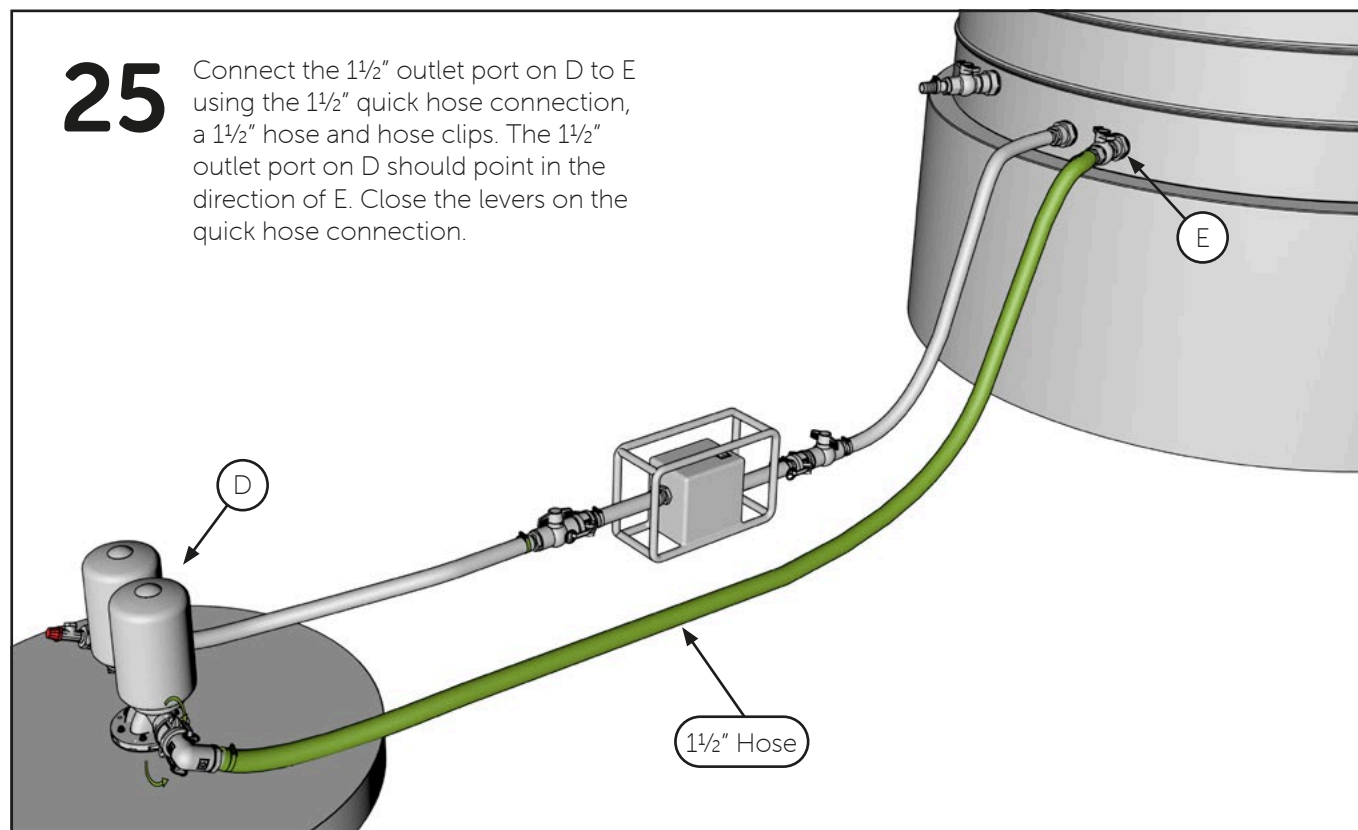
Close the levers on the quick hose connection.

1/4" Hose

C

25

Connect the 1/2" outlet port on D to E using the 1/2" quick hose connection, a 1/2" hose and hose clips. The 1/2" outlet port on D should point in the direction of E. Close the levers on the quick hose connection.



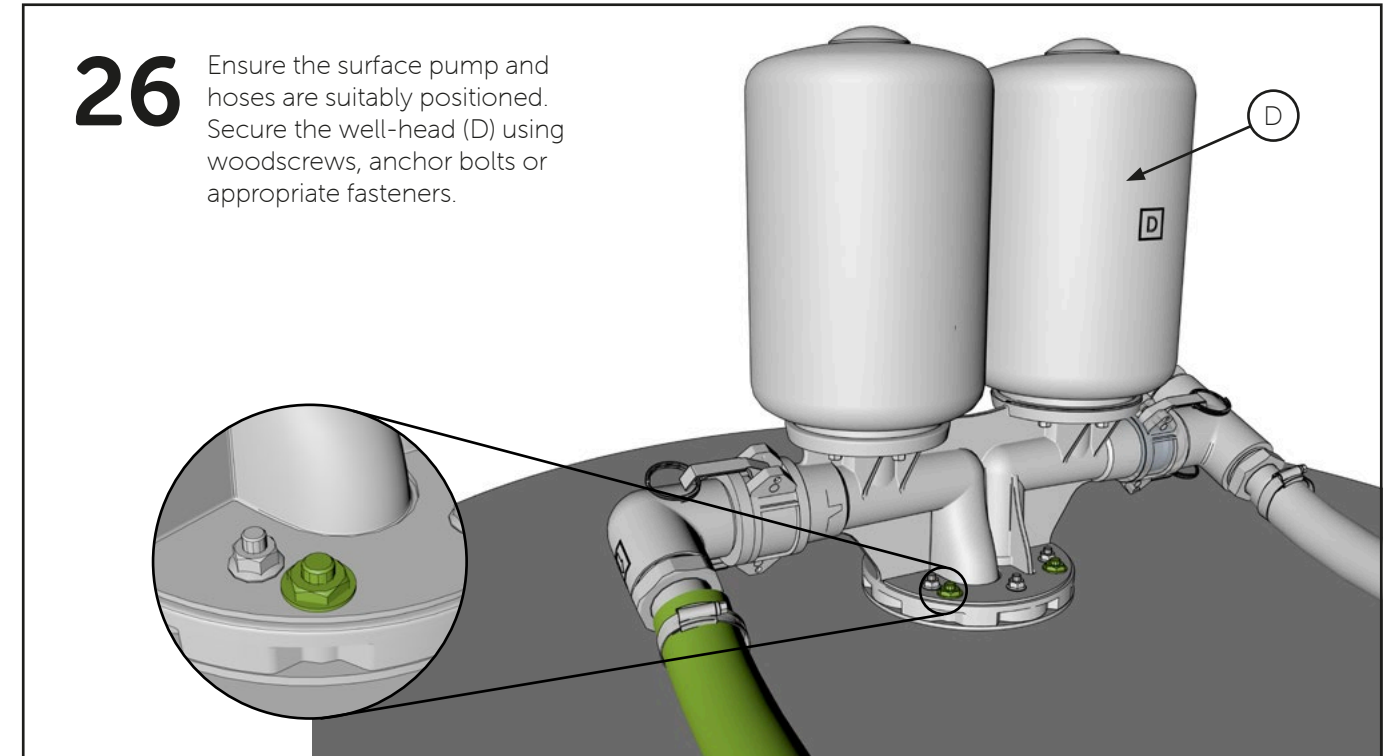
D

1/2" Hose

E

26

Ensure the surface pump and hoses are suitably positioned. Secure the well-head (D) using woodscrews, anchor bolts or appropriate fasteners.

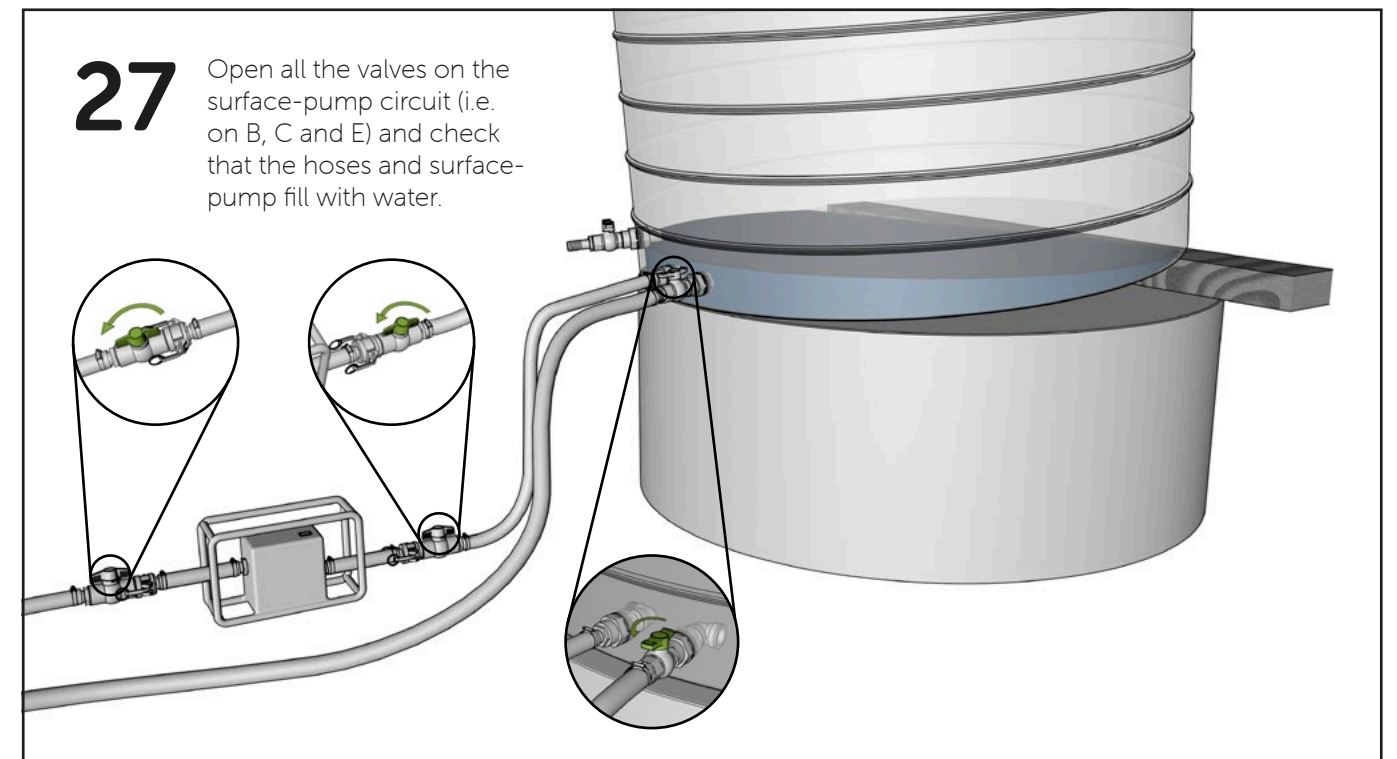


D

**TIP:** A padlock can be used through one of the bolt holes for added security.

27

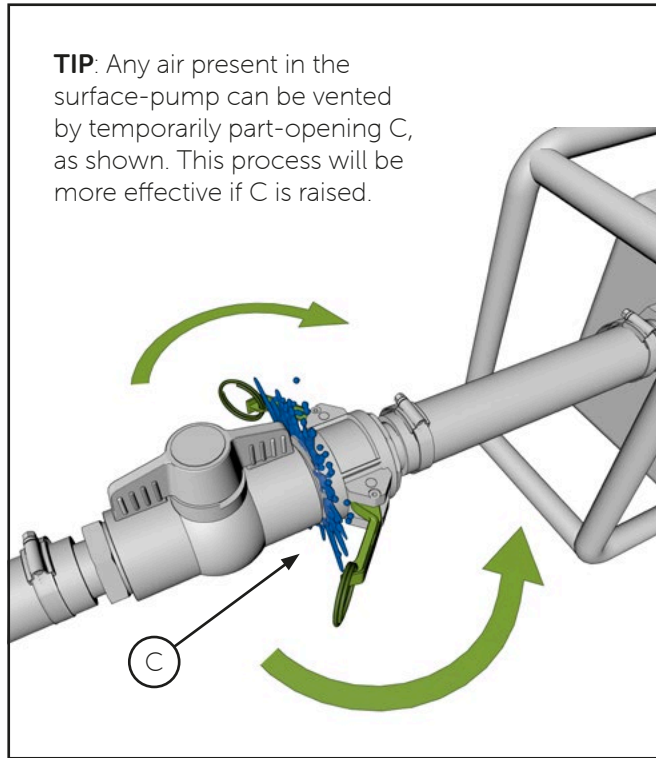
Open all the valves on the surface-pump circuit (i.e. on B, C and E) and check that the hoses and surface-pump fill with water.



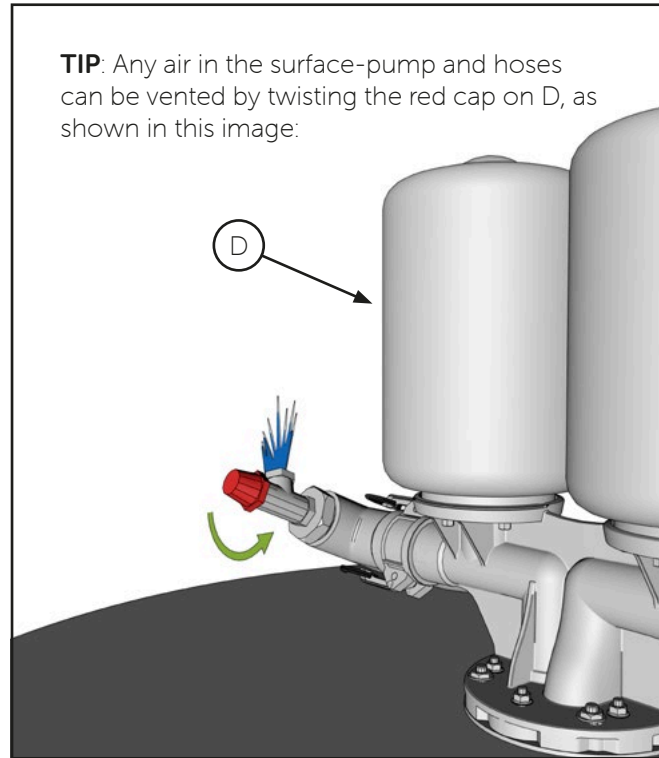
E

**TIP:** If the tank is large, tip it to submerge A. Temporarily support the tank, e.g. with a block of wood.

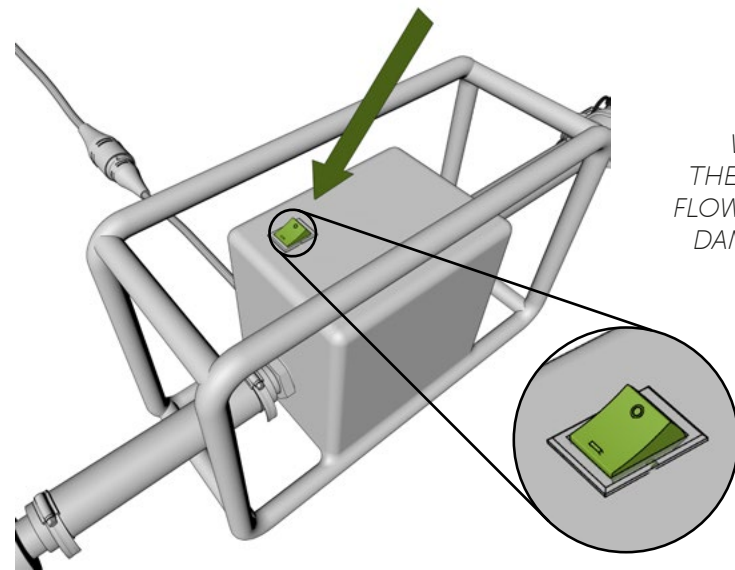
**TIP:** Any air present in the surface-pump can be vented by temporarily part-opening C, as shown. This process will be more effective if C is raised.



**TIP:** Any air in the surface-pump and hoses can be vented by twisting the red cap on D, as shown in this image:



**28** The surface-pump manual should be followed carefully. Connect the power source to the surface-pump and run the surface-pump. The valve on C may need to be adjusted for some surface-pumps to reduce the output flow and pressure supplied to the SLX-40. The valve on C should be adjusted so that the red cap on D is normally closed. The SLX-40-S must also lift an output flow of no more than 3,000 L/h. The highest well water level and surface pump power should be used to set this limit. For example, solar powered pumps should be limited with the well water at the highest level under clear skies at midday with approximately 1,000 W/m<sup>2</sup> of sunlight.

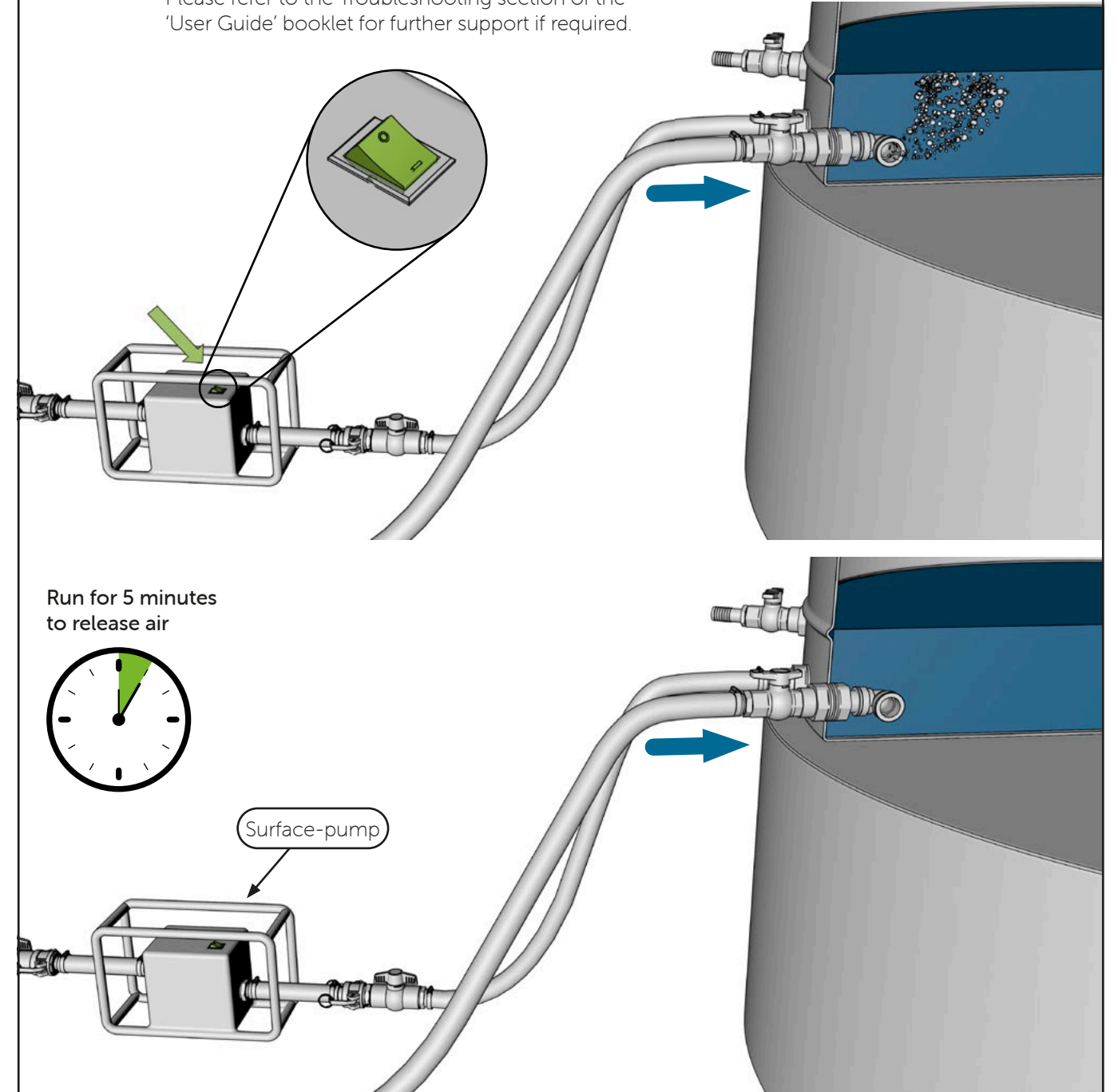


**WARNING!** EXCEEDING THE PRESSURE HEAD AND FLOW SPECIFICATIONS MAY DAMAGE THE SLX-40 AND VOID THE WARRANTY.

Ensure any electrical supplies are isolated before connecting.

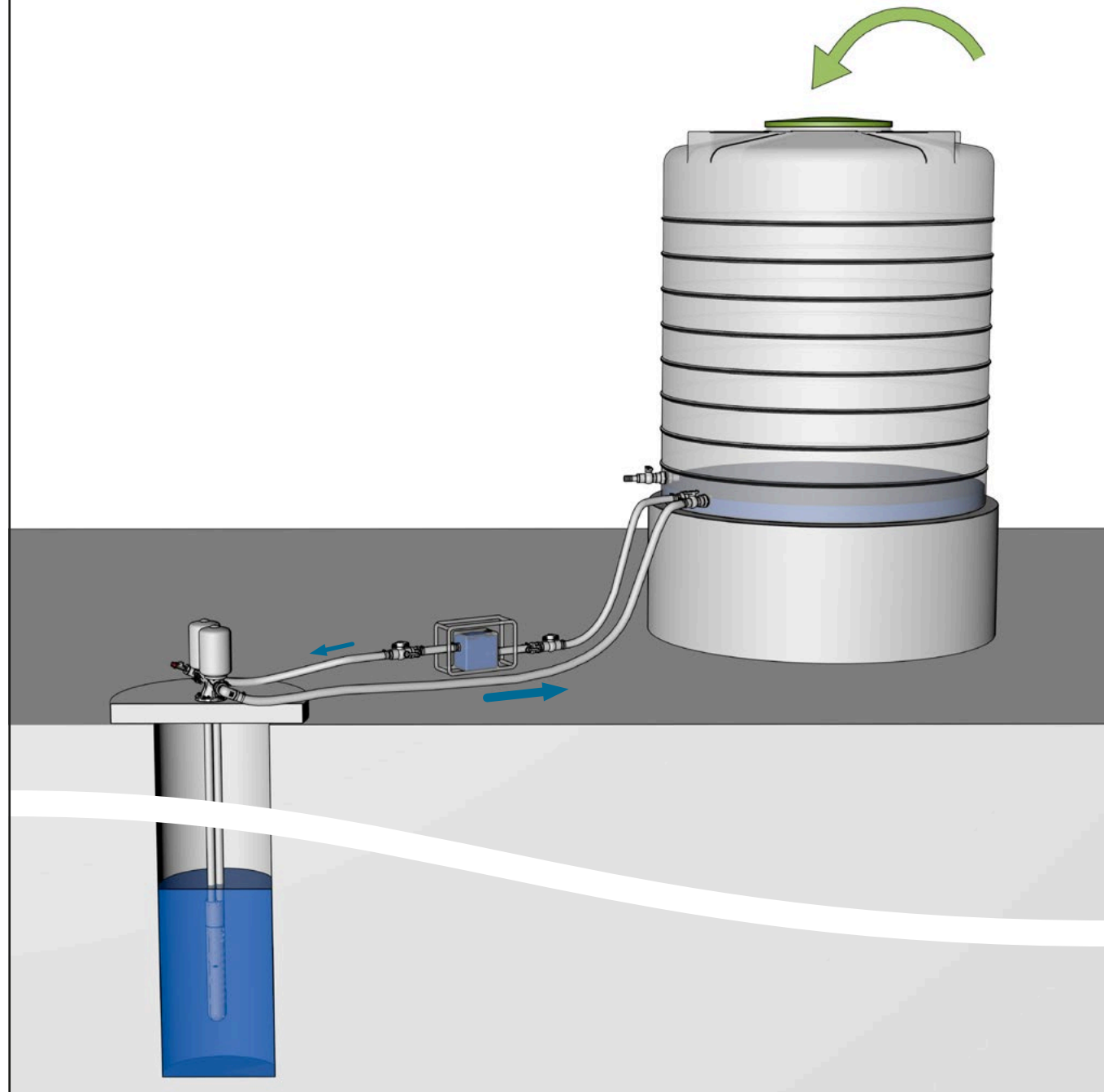
**29** Look into the tank to check that the surface-pump inlet does not suck in any air while pumping. Check that any air remaining in the system has circulated and settled out in the tank and the SLX-40 has a steady beat. This may take up to 5 minutes.

Please refer to the Troubleshooting section of the 'User Guide' booklet for further support if required.



**TIP:** A tank level switch or overflow return to the well should be installed if the pump will operate unsupervised.

**30** The SLX-40 should now start lifting more water to the surface tank than is pumped down the down-pipe. Run the pump until the water level in the tank is above where the hoses connect to the tank when it is level. Please ensure the tank is covered with a lid or other cover.





# 31

Before the 5 year warranty can be activated a 'Site Installation Report' must be submitted to Impact Pumps. Please complete the 'Site Installation Report' by visiting [www.impactpumps.com/support](http://www.impactpumps.com/support) or by scanning this code:



The 'Site Installation Report' form will ask you to confirm the following key installation steps have been completed:

- Maximum head (i.e., the height from the deepest seasonal ground water level to the maximum tank level) is no more than 50m
- Tank raised above the highest point on the well-head (D)
- Outlet (F) is installed above the tank-hose connection (A)
- Good quality UV resistant suction hoses are installed
- Hose clips are used on all hose joints
- Surface-pump is installed in the correct direction
- Tank has a lid

Please talk through the "User Guide" with the operator of the SLX-40. Confirm that they know how to connect and run the pump including how to expel air.

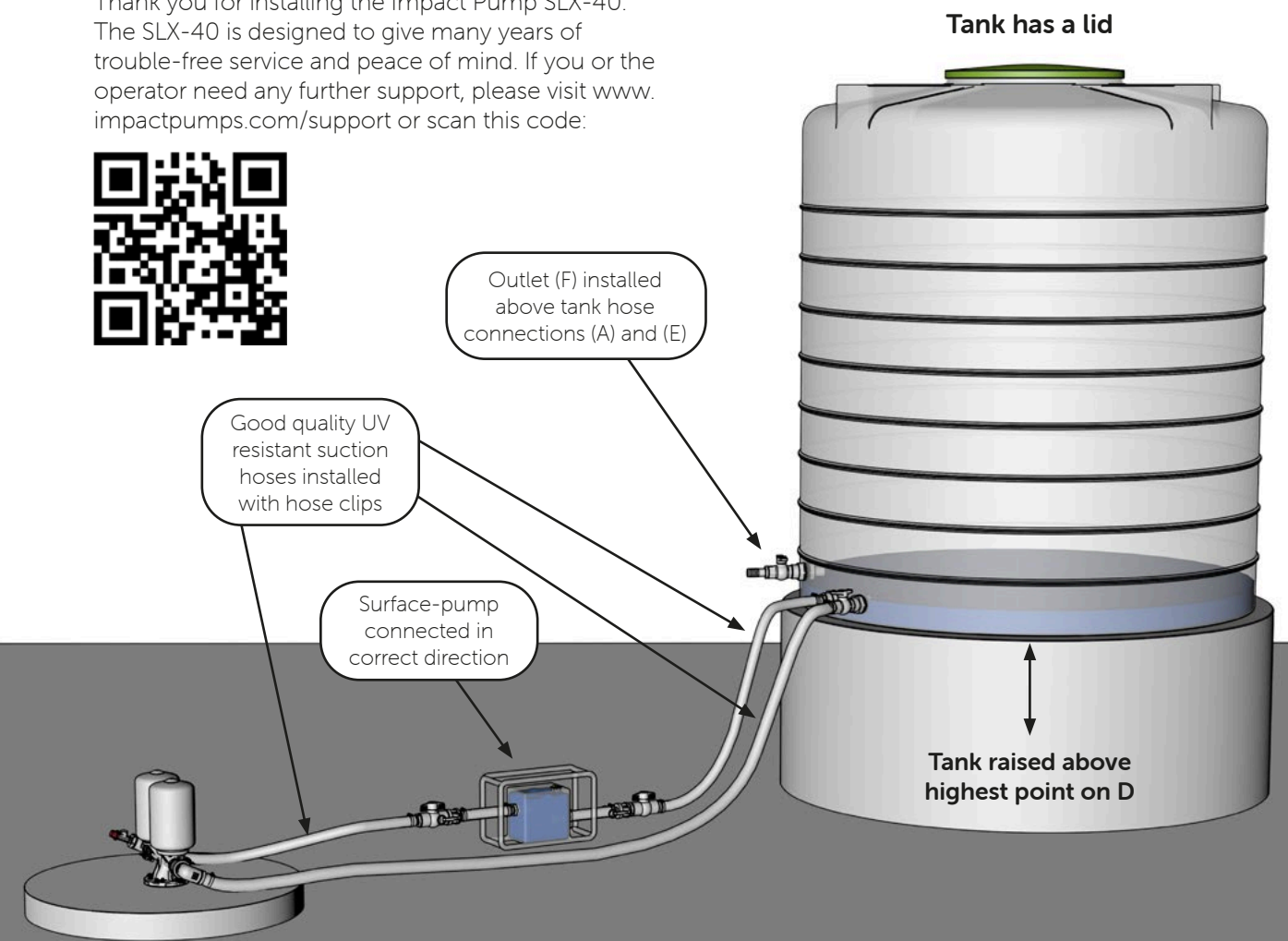
Please complete the 'New Pump Owner's Copy' of the 'Site Installation Report'. Please leave this 'Site Installation Report: New Pump Owner's Copy' with the New Pump Owner.

If you cannot access the online Site Installation Report, please also complete the 'Distributor's Copy' of the 'Site Installation Report'. Please return this 'Site Installation Report: Distributor's Copy' to your distributor who will submit it to Impact Pumps.

Thank you for installing the Impact Pump SLX-40. The SLX-40 is designed to give many years of trouble-free service and peace of mind. If you or the operator need any further support, please visit [www.impactpumps.com/support](http://www.impactpumps.com/support) or scan this code:



*If a camera is available, please also upload a photo showing the above installation steps have been completed with the well-head (D), surface-pump and tank correctly installed and connected.*









## Appendix A

### **SLX-40 Basic Set-Up**

Installation and User Guide

# SLX-40 Basic Set-Up

## Installation and User Guide

This document explains how to complete a basic installation of an Impact Pump SLX-40 without an Impact Pumps well-head or optional quick connections kit. For applications requiring a raised tank for pressurised output (e.g. to sprinklers or drip irrigation), or remote tank, an Impact Pumps well-head should be used. To benefit from rapid surface pump removal and replacement, enabling it to be used for other applications (e.g. around a farm), an Impact Pumps quick connections kit can be used.

This set-up should only be used for output flows less than 3,000 L/h.

See separate "SLX-40-S & SLX-40-HF Installation Guide" for instructions where appropriate.

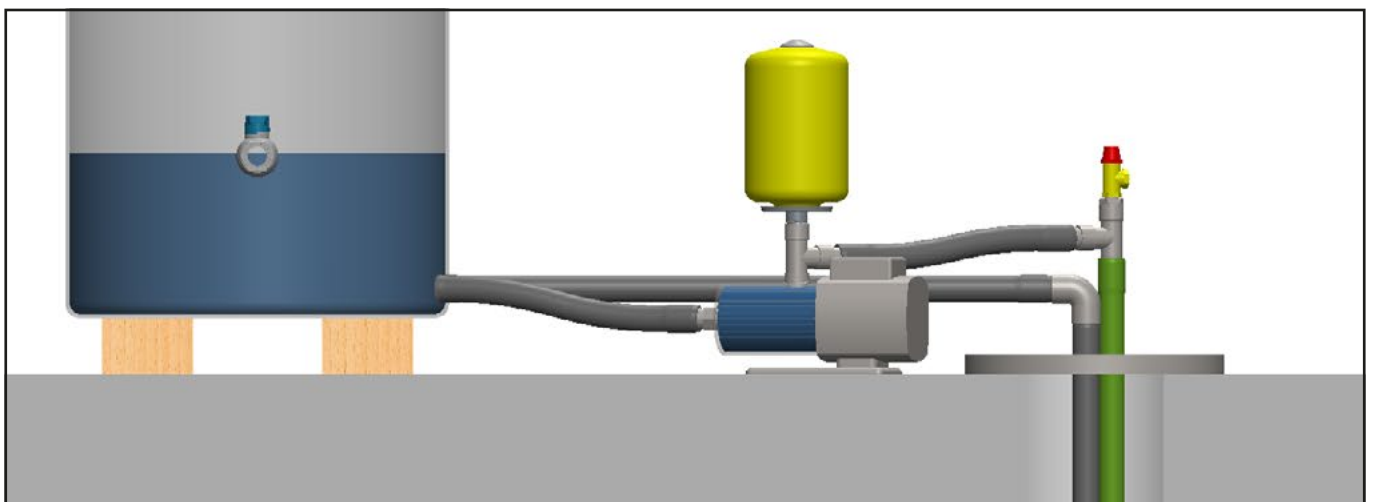
For operating and troubleshooting help, please also refer to the accompanying "SLX-40-S & SLX-40-HF User Guide".

---

To get further support, including in other languages such as:

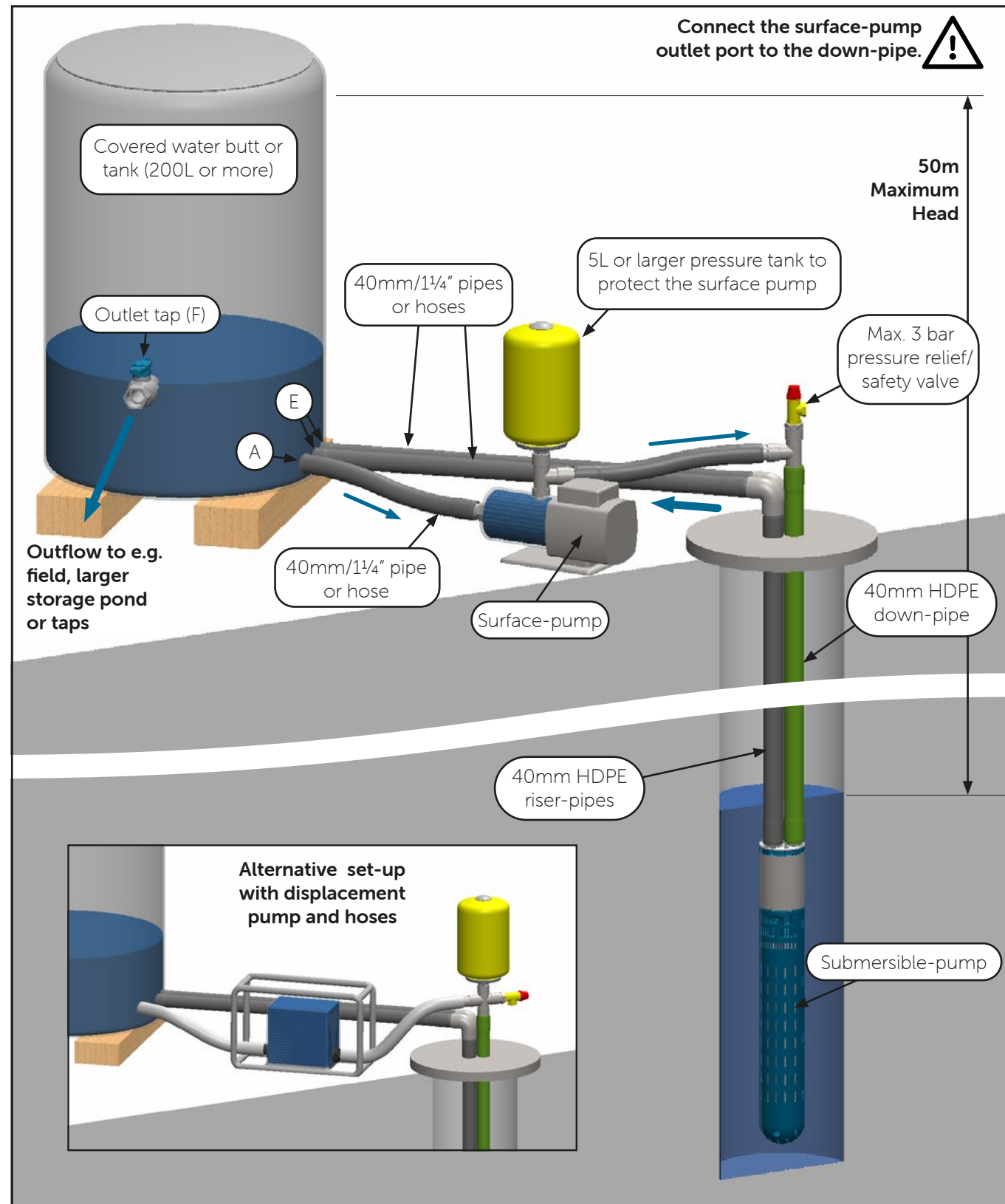
- Français,
- Español,
- Português,

visit [www.impactpumps.com/support](http://www.impactpumps.com/support) or scan this code:



# SLX-40 Basic Set-Up

## Installation Example Layout



Water pumped down into the SLX-40 submersible-pump is returned up the riser pipes with extra water lifted from the well.

### Required Items Not Included With The SLX-40 Submersible:

- **Surface-pump**
    - Some surface pumps may need to be limited to supply a pressure of less than 27m, so that the 3bar pressure relief valve remains closed in normal operation.
    - In addition, the SLX-40 must lift an output flow of no more than 3,000 L/h.
  - **WARNING! Exceeding the pressure head and flow specifications may damage the SLX-40 and void the warranty.**
  - **Water butt or tank (200L or more)**
  - **HDPE (PE100) PN16 (SDR11) pipes, 40mm outside diameter**
  - **40mm or 1 1/4" pipe or hose** between well and tank
  - **Pipe and tank connection fittings** as shown
  - **Pressure tank** to protect the surface pump (Shown yellow \*)
    - Minimum 5L capacity
    - Minimum 3/4" port.
  - **Maximum 3 bar Pressure Relief/Safety valve.** (Shown yellow \*)
- \* Components shown in yellow MUST be included to obtain Impact Pumps' guarantee. If these fittings are not used the guarantee will be void.

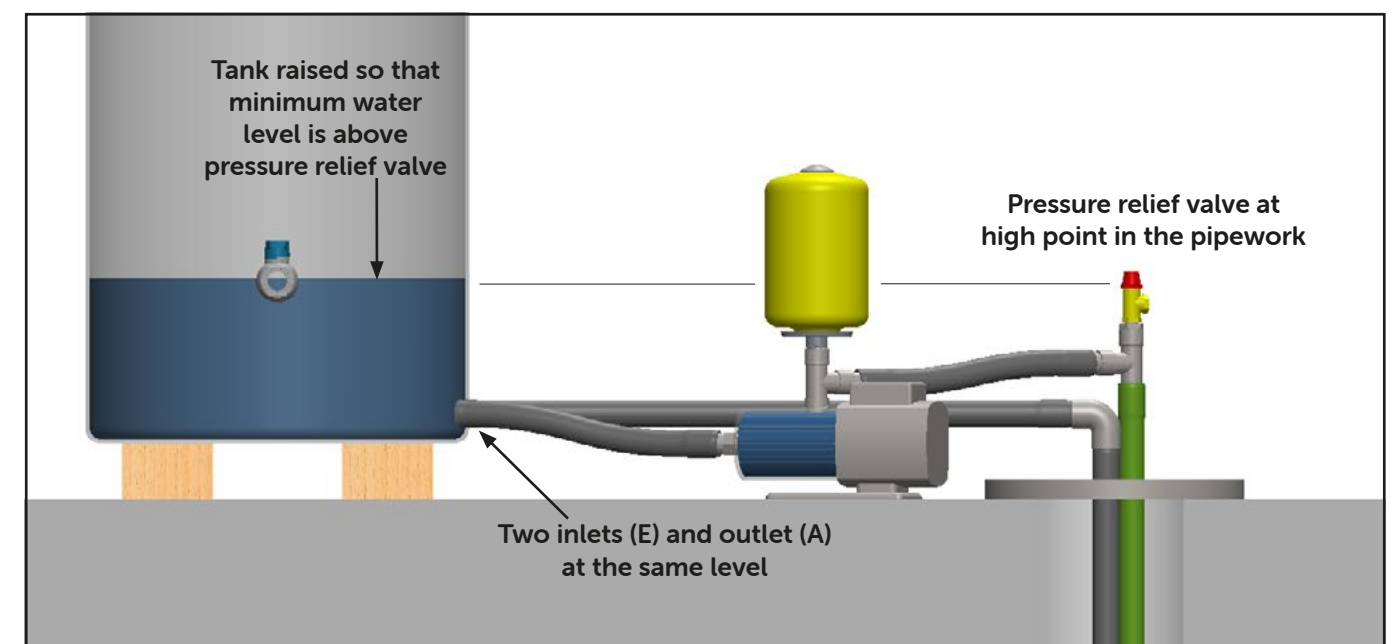
### Optional or recommended items:

- 3 x 1 1/4" steel hoesetails and hose clips for top of vertical pipes
- 2 elbows
- Fixing plate or brackets for firmly securing pipes at top of well

### Extra Installation Instructions

Use these instructions in addition to the SLX-40 Installation Guide. Step numbers refer to steps in the Installation Guide (e.g. 3a refers to step 3).

- 3a.** Cut two inlet holes (E) and one outlet hole (A) at the same level.
- 4a.** The outlet hole (F) must also be higher than the pressure relief valve (shown in yellow) and minimum 10cm above A and E. Install outlet tap here.
- 5a.** Install connections to both submersible pump riser pipes at (E) and to the surface pump suction port at (A).
- 7a.** Outlet tap (F) must be higher than the pressure relief valve.



# SLX-40 Basic Set-Up

## Extra Installation Instructions (continued)

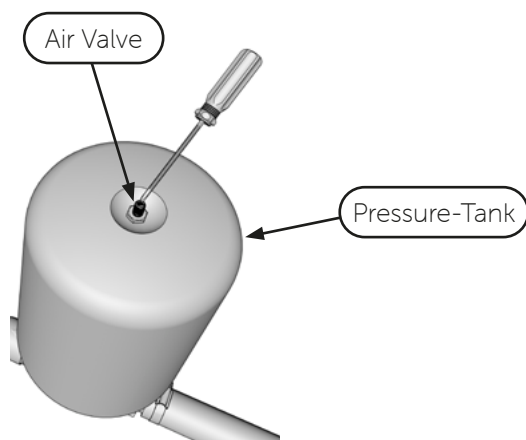
**12a. and 18a.** Cut the down-pipe longer than the riser pipes if necessary. The pressure relief valve must be at the highest point in the pipework between the surface pump and the well.

**19a.** Secure the pipes together. Attach the tee (or cross) to the down-pipe. Attach any elbows to the riser pipes.

**24a.** Join the surface-pump outlet port to the down-pipe (shown green) using 1¼" pipe or hose and tee if needed.

**24b.** Attach the pressure tank and pressure relief valve.

**24c.** Ensure any air pre-charge is released from the pressure tank by depressing the pin at the centre of the air-valve as shown. This should be done BEFORE the surface pump is turned on.



**26a.** Secure pipes firmly in place above middle of well. PIPES SHOULD BE SECURE TO STOP THEM FROM SHAKING.

## Extra User Instructions

Please refer to the SLX-40 User Guide.

### Removal of the SLX-40 from the well

**TIP:** Air can be blown down one or both riser pipes simultaneously to remove water.



## Appendix B

### **SLX-40 Site Installation Report Forms**

New Pump Owner's Copy

Distributor's Copy



# SLX-40-S and SLX-40-HF

\* = required field

## Site Installation Report: New Pump Owner's Copy

In addition to completing the online 'Site Installation Report' or the paper 'Site Installation Report: Distributor's Copy', please also complete this 'Site Installation Report: New Pump Owner's Copy' and leave it with the new owner of the SLX-40.

---

### Well-head Serial Number

Please enter the serial number that is printed on the well-head, D.

### Submersible Serial Number\*

Please enter the serial number that is printed on the SLX-40 submersible pump.

### Certified Installer's First Name\*

### Certified Installer's Family Name\*

### Installer's Certification Number\*

Please enter your unique 6 digit Certification Number from your 'Authorised Installer Certificate'.

### Certified Installer's Phone Number\*

### New Pump Owner's First Name\*

### New Pump Owner's Family Name\*

### Town\*

### County, State or Province\*

### Country or Region\*

### New Pump Owner's Phone Number\*

Impact Pumps will send an SMS to this number to confirm that the 5 year guarantee has been activated.

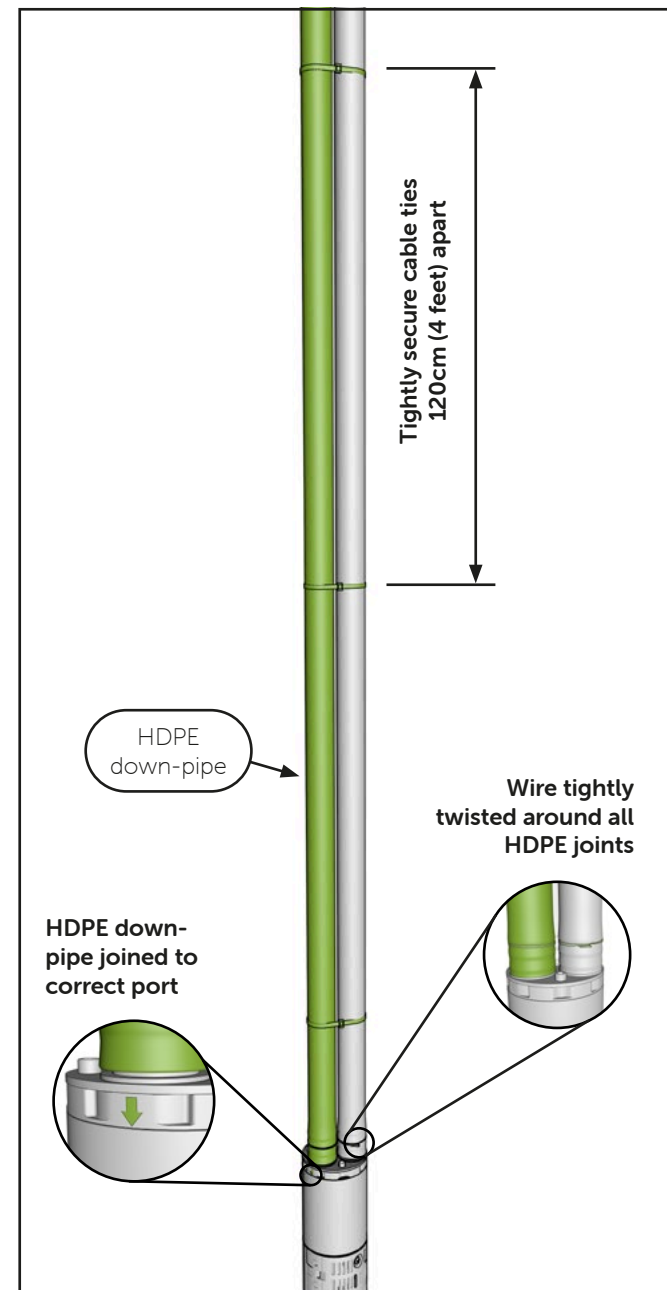
### New Pump Owner's Email Address

# SLX-40-S and SLX-40-HF

## Site Installation Report: New Pump Owner's Copy

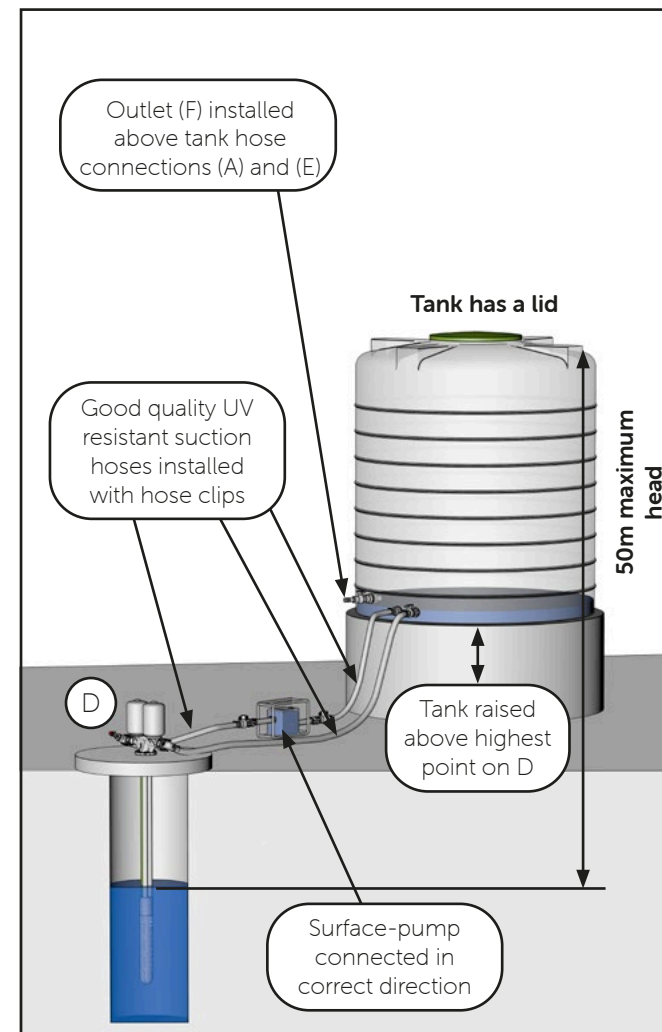
Please confirm the following key installation steps have been completed:\*

- HDPE down-pipe joined to correct ports at both ends
- Wire tightly twisted twice around all HDPE joints
- Cable ties tightly secured with pliers at least every 120cm (4 feet) along HDPE pipes
- HDPE pipes cut no longer than 50m



Please also confirm the following key installation steps have been completed:\*

- Maximum head (i.e., the height from the deepest seasonal ground water level to the maximum tank level) is no more than 50m
- Tank raised above the highest point on the well-head (D)
- Outlet (F) is installed above the tank-hose connection (A)
- Good quality UV resistant suction hoses or pipes are installed
- Hose clips are used on all hose joints
- Surface-pump is installed in the correct direction
- Tank has a lid



# SLX-40-S and SLX-40-HF

## Site Installation Report: New Pump Owner's Copy

Surface-pump\*

Please enter the manufacturer and model number of the surface-pump that is powering the Impact Pump SLX-40

What is the cut length of HDPE pipes?\*

- feet
- metres

What is the height of the top of the tank from the well cover?\*

- feet
- metres

Is the pump installed in a hand-dug well or a borehole?

- Hand-dug well
- Borehole

Estimated deepest seasonal depth to well water level from ground level before pumping

- feet
- metres

Estimated daily water demand

Please estimate the approximate average number of litres per day the customer intends to pump

litres/day

How long did the installation take after you arrived at site with the tank stand and well-head support installed?

hours

# SLX-40-S and SLX-40-HF

## Site Installation Report: New Pump Owner's Copy

Please confirm the new pump owner is fully satisfied with the SLX-40, the installation and that the following statements are true:\*

- The pump runs as it should, any air has been expelled and there are no leaks.*
- The new pump owner understands how to connect and run the pump including how to expel air.*
- The new pump owner knows where to get additional support if needed.*

### Additional Notes

*Please add any additional information you have regarding this installation.*

# SLX-40-S and SLX-40-HF

\* = required field

## Site Installation Report: Distributor's Copy

If you do not have access to the internet, please also complete this 'Distributor's Copy' of the 'Site Installation Report'. Please return all 4 pages of this 'Site Installation Report: Distributor's Copy' to your distributor who will photograph it and submit it via [www.impactpumps.com/support](http://www.impactpumps.com/support).

Please leave the following 'Site Installation Report: New Pump Owner's Copy' with the new owner of the SLX-40.

---

### Well-head Serial Number

Please enter the serial number that is printed on the well-head, D.

### Submersible Serial Number\*

Please enter the serial number that is printed on the SLX-40 submersible pump.

### Certified Installer's First Name\*

### Certified Installer's Family Name\*

### Installer's Certification Number\*

Please enter your unique 6 digit Certification Number from your 'Authorised Installer Certificate'.

### Certified Installer's Phone Number\*

### New Pump Owner's First Name\*

### New Pump Owner's Family Name\*

### Town\*

### County, State or Province\*

### Country or Region\*

### New Pump Owner's Phone Number\*

Impact Pumps will send an SMS to this number to confirm that the 5 year guarantee has been activated.

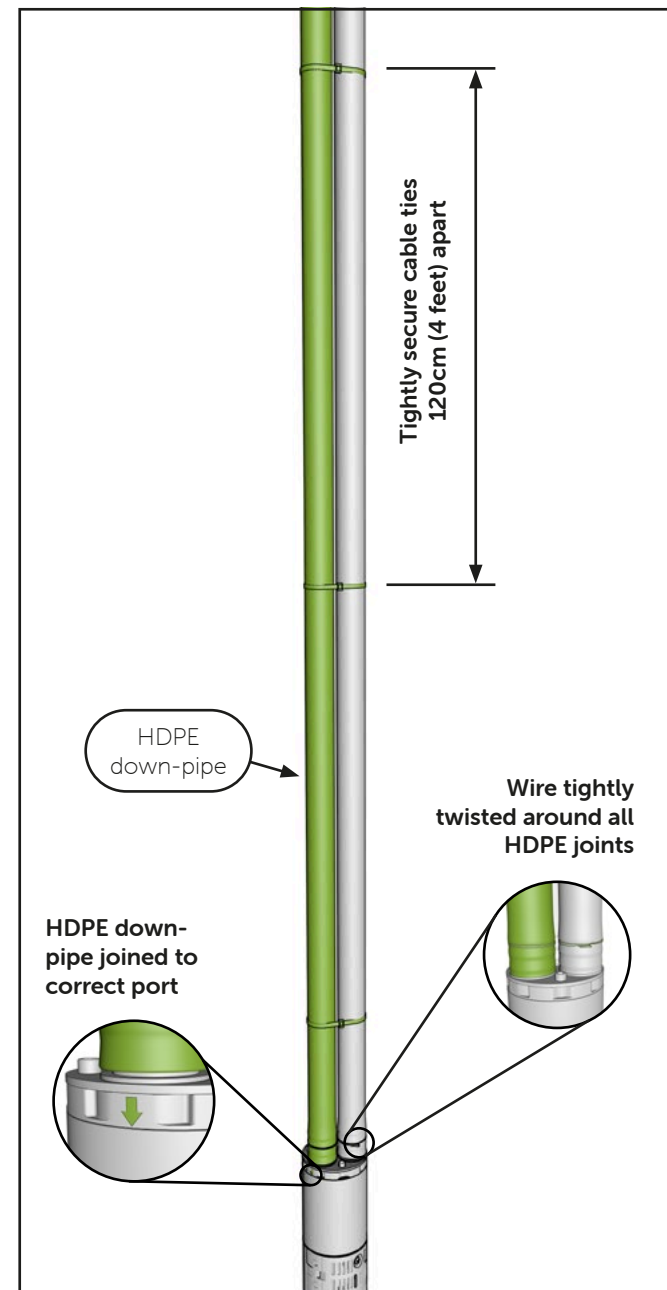
### New Pump Owner's Email Address

# SLX-40-S and SLX-40-HF

## Site Installation Report: Distributor's Copy

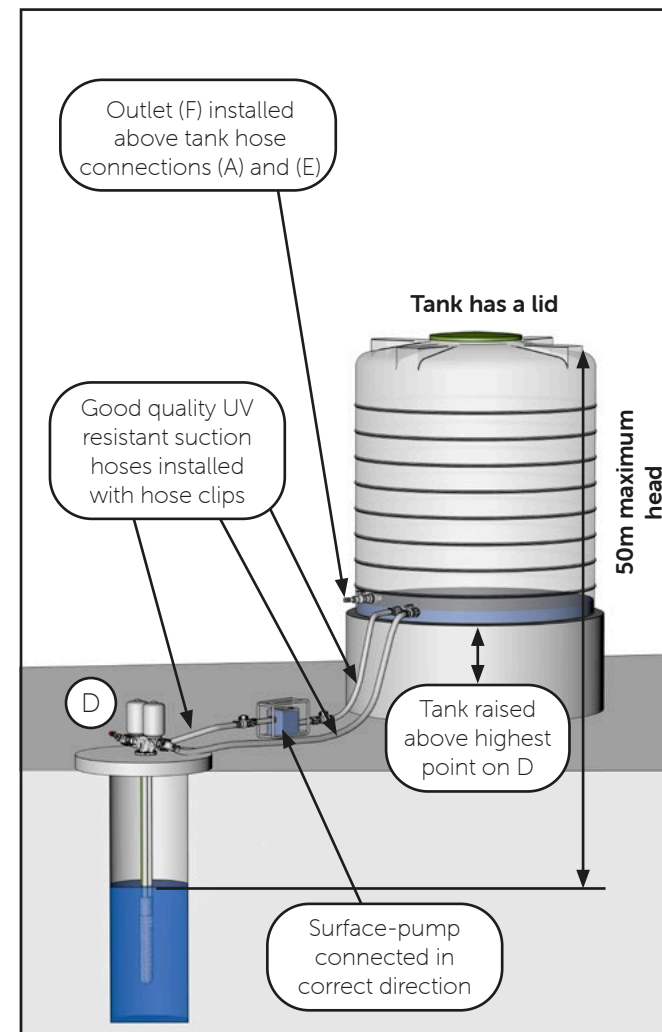
Please confirm the following key installation steps have been completed:\*

- HDPE down-pipe joined to correct ports at both ends
- Wire tightly twisted twice around all HDPE joints
- Cable ties tightly secured with pliers at least every 120cm (4 feet) along HDPE pipes
- HDPE pipes cut no longer than 50m



Please also confirm the following key installation steps have been completed:\*

- Maximum head (i.e., the height from the deepest seasonal ground water level to the maximum tank level) is no more than 50m
- Tank raised above the highest point on the well-head (D)
- Outlet (F) is installed above the tank-hose connection (A)
- Good quality UV resistant suction hoses or pipes are installed
- Hose clips are used on all hose joints
- Surface-pump is installed in the correct direction
- Tank has a lid



# SLX-40-S and SLX-40-HF

## Site Installation Report: Distributor's Copy

Surface-pump\*

Please enter the manufacturer and model number of the surface-pump that is powering the Impact Pump SLX-40

What is the cut length of HDPE pipes?\*

 feet  
 metres

What is the height of the top of the tank from the well cover?\*

 feet  
 metres

Is the pump installed in a hand-dug well or a borehole?

 Hand-dug well  Borehole

Estimated deepest seasonal depth to well water level from ground level before pumping

 feet  
 metres

Estimated daily water demand

Please estimate the approximate average number of litres per day the customer intends to pump

 litres/day

How long did the installation take after you arrived at site with the tank stand and well-head support installed?

 hours



# SLX-40-S and SLX-40-HF

## Site Installation Report: Distributor's Copy

Please confirm the new pump owner is fully satisfied with the SLX-40, the installation and that the following statements are true:\*

- The pump runs as it should, any air has been expelled and there are no leaks.*
- The new pump owner understands how to connect and run the pump including how to expel air.*
- The new pump owner knows where to get additional support if needed.*

### Additional Notes

*Please add any additional information you have regarding this installation.*